

INSTALLATION GUIDE

AXIS P3363-VE Network Camera

AXIS P3364-VE Network Camera

AXIS P3364-LVE Network Camera

ENGLISH

FRANÇAIS

DEUTSCH

ITALIANO

ESPAÑOL

About this Document

This document includes instructions for installing AXIS P3363-VE, AXIS P3364-VE and AXIS P3364-LVE on your network. Previous experience of networking will be beneficial when installing the product.

Legal Considerations

Video and audio surveillance can be prohibited by laws that vary from country to country. Check the laws in your local region before using this product for surveillance purposes. This product includes one (1) H.264 decoder license. To purchase further licenses, contact your reseller.

Trademark Acknowledgements

Apple, Boa, Bonjour, Ethernet, Internet Explorer, Linux, Microsoft, Mozilla, Real, SMPTE, QuickTime, UNIX, Windows, Windows Vista and WWW are registered trademarks of the respective holders. Java and all Java-based trademarks and logos are trademarks or registered trademarks of Oracle and/or its affiliates. UPnP™ is a certification mark of the UPnP™ Implementers Corporation.

Electromagnetic Compatibility (EMC)

This equipment has been designed and tested to fulfill applicable standards for:

Radio frequency emission when installed according to the instructions and used in its intended environment.


Immunity to electrical and electromagnetic phenomena when installed according to the instructions and used in its intended environment.

USA – Using an unshielded network cable (UTP): This equipment has been tested using an unshielded network cable (UTP) and found to comply with the limits for a Class A digital device, pursuant to part 15 of the FCC Rules. These limits are designed to provide reasonable protection against harmful interference when the equipment is operated in a commercial environment. This equipment generates, uses, and can radiate radio frequency energy and, if not installed and used in accordance with the instruction manual, may cause harmful interference to radio communications. Operation of this equipment in a residential area is likely to cause harmful interference in which case the user will be required to correct the interference at his own expense.

Using a shielded network cable (STP): This equipment has also been tested using a shielded network cable (STP) and found to comply with the limits for a Class B digital device, pursuant to part 15 of the FCC Rules. These limits are designed to provide reasonable protection against harmful interference in a residential installation. This equipment generates, uses and can radiate radio frequency energy and, if not installed and used in accordance with the instructions, may cause harmful interference to radio communications. However, there is no guarantee that interference will not occur in a particular installation. If this equipment does cause harmful interference to radio or television reception, which can be determined by turning the equipment off and on, the user is encouraged to try to correct the interference by one or more of the following measures:

- Reorient or relocate the receiving antenna.
- Increase the separation between the equipment and receiver.
- Connect the equipment into an outlet on a circuit different from that to which the receiver is connected.
- Consult the dealer or an experienced radio/TV technician for help.

Canada – This Class B digital apparatus complies with Canadian ICES-003.

Europe –  This product fulfills the requirements for immunity according to EN 55024 office and commercial environments.

This product fulfills the requirements for immunity according to EN 61000-6-1 residential, commercial and light-industry environments.

This product fulfills the requirements for immunity according to EN 61000-6-2 industrial environments.

Japan – この装置は、クラスB 情報技術装置です。この装置は、家庭環境で使用することを目的としていますが、この装置がラジオやテレビジョン受信機に近接して使用されると、受信障害を引き起こすことがあります。取扱説明書に従って正しい取り扱いをして下さい。

Australia – This digital equipment fulfills the requirements for RF emission according to the Class B limit of AS/NZS CISPR 22. Equipment Modifications

This equipment must be installed and used in strict accordance with the instructions given in the user documentation. This equipment contains no user-serviceable components. Unauthorized equipment changes or modifications will invalidate all applicable regulatory certifications and approvals.

Korea – 이 기기는 가정용(B급) 전자파적합기기로서 주로 가정에서 사용하는 것을 목적으로 하며, 모든 지역에서 사용할 수 있습니다.

Safety

This product complies with EN/IEC/UL 60950-1 and EN/IEC/UL 60950-22, Safety of Information Technology Equipment.

EN 50121-4

This product fulfills the requirements for emissions and immunity according to EN 50121-4 railway applications.

Liability

Every care has been taken in the preparation of this document. Please inform your local Axis office of any inaccuracies or omissions. Axis Communications AB cannot be held responsible for any technical or typographical errors and reserves the right to make changes to the product and documentation without prior notice. Axis Communications AB makes no warranty of any kind with regard to the material contained within this document, including, but not limited to, the implied warranties of merchantability and fitness for a particular purpose. Axis Communications AB shall not be liable nor responsible for incidental or consequential damages in connection with the furnishing, performance or use of this material.

RoHS

This product complies with both the European RoHS directive, 2002/95/EC, and the Chinese RoHS regulations, ACEP1.

WEEE Directive

The European Union has enacted a Directive 2002/96/EC on Waste Electrical and Electronic Equipment (WEEE Directive). This directive is applicable in the European Union member states. The WEEE marking on this product (see right) or its documentation indicates that the product must not be disposed of together with household waste. To prevent possible harm to human health and/or the environment, the product must be disposed of in an approved and environmentally safe recycling process. For further information on how to dispose of this product correctly, contact the product supplier, or the local authority responsible for waste disposal in your area. Business users should contact the product supplier for information on how to dispose of this product correctly. This product should not be mixed with other commercial waste. For more information, visit www.axis.com/techsup/commercial/waste



Support

Should you require any technical assistance, please contact your Axis reseller. If your questions cannot be answered immediately, your reseller will forward your queries through the appropriate channels to ensure a rapid response. If you are connected to the Internet, you can:

- download user documentation and firmware updates
- find answers to resolved problems in the FAQ database. Search by product, category, or phrases
- report problems to Axis support by logging in to your private support area.

Safeguards

Please read through this Installation Guide carefully before installing the Axis product. Keep the Installation Guide for further reference.

NOTICE

- Store the Axis product in a dry and ventilated environment.
- Avoid exposing the Axis product to vibration, shocks or heavy pressure. Do not install the product on unstable brackets, unstable or vibrating surfaces or walls, since this could cause damage to the product.
- Only use applicable tools when installing the Axis product; excessive force could cause damage to the product.
- Do not use chemicals, caustic agents, or aerosol cleaners. Use a damp cloth for cleaning.
- Use only accessories that comply with technical specification of the product. These can be provided by Axis or a third party.
- Use only spare parts provided by or recommended by Axis.
- Do not attempt to repair the product by yourself, contact Axis or your Axis reseller for service matters.

Important

- This Axis product shall be used in compliance with local laws and regulations.
- The Axis product should be installed by a trained professional. Observe relevant national and local regulations for the installation.

Transportation

NOTICE

- When transporting the Axis product, use the original packaging or equivalent to prevent damage to the product.

Battery Replacement

This Axis product uses a 3.0 V CR2032 lithium battery as the power supply for its internal real-time clock (RTC). Under normal conditions this battery will last for a minimum of 5 years. Low battery power affects the operation of the RTC, causing it to reset at every power-up. A log message will appear when the battery needs replacing. The battery should not be replaced unless required!

If the battery does need replacing, please contact www.axis.com/techsup for assistance.

▲ WARNING

- Dispose of used batteries according to the manufacturer's instructions.

NOTICE

- Risk of explosion if battery is incorrectly replaced.
- Replace only with the same or equivalent battery, as recommended by the manufacturer.

Dome Cover Cleaning

NOTICE

- Be careful not to scratch or damage the dome cover. Keep the protective plastic on the dome cover until the installation is complete. Do not clean a dome cover that looks clean to the eye and never polish the surface. Excessive cleaning could damage the surface.
- For general cleaning of a dome cover it is recommended to use a non-abrasive, solvent-free neutral soap or detergent with water and a soft cloth. Rinse well with clean lukewarm water. Dry with a soft cloth to prevent water spotting.
- Never use harsh detergents, gasoline, benzene or acetone etc. and avoid cleaning in direct sunlight or at elevated temperatures.
- Domes for L products come with an anti-scratch surface. Avoid leaving finger prints on the dome surface since this might impair image quality.

AXIS P3363-VE/P3364-VE/P3364-LVE Network Camera Installation Guide

Follow these instructions to install the network camera

1. "Package contents" on page 5
2. "Hardware overview" on page 6
3. "Install the hardware" on page 7
4. "Access the video stream" on page 10
5. "Adjust the Lens" on page 10
6. "Complete the installation" on page 11

Notes:

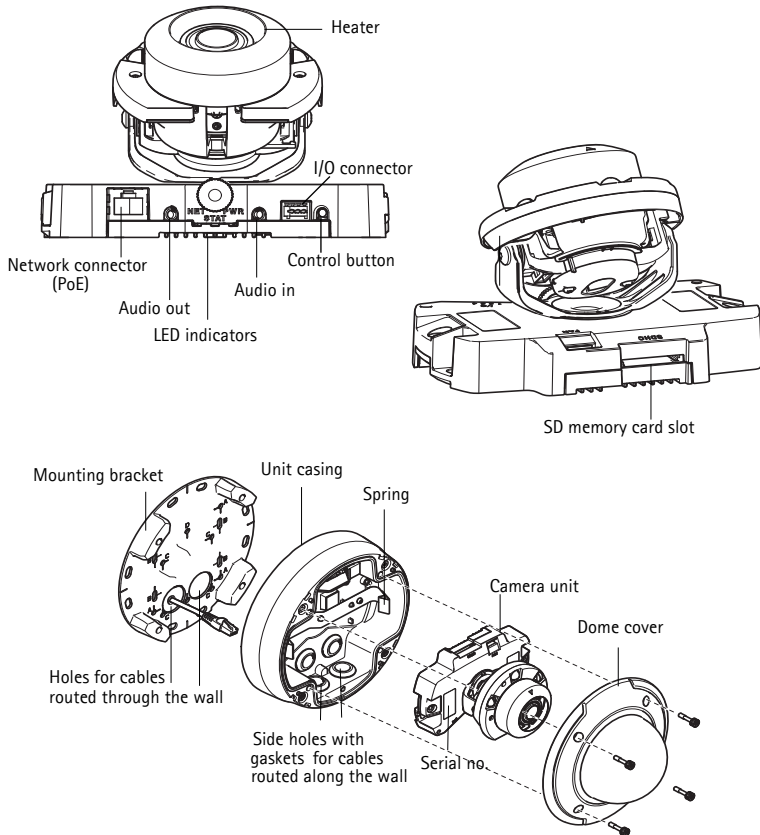
- Before you begin, make sure that the package contents, power supply, and the required cables, tools, and documentation are available. See *Package contents* below.
- This network camera is intended to operate with PoE; if not available use Axis PoE Midspan 1 port (not included)

1 Package contents

Item	Models/variants/notes
Network camera with heating module	AXIS P3363-VE AXIS P3364-VE AXIS P3364-LVE
Mounting bracket	
Dome covers	Clear transparent cover (not for AXIS P3364-LVE) Smoked transparent cover
Weather shield	Not applicable for AXIS P3364-LVE
Labels	2 adhesive serial no. labels
Mounting kit	Resitorx screw driver, 2 long screws, drill template, 5-meter network cable with gasket, 1 gasket, terminal block connector
CD	Installation and Management Software CD
Printed Materials	Installation Guide (this document) AVHS Authentication key
Optional accessories	Threaded adaptor with cable shield See www.axis.com for information on available accessories

2 Hardware overview

Camera AXIS P3364-L



Caution! The heater in the camera unit may be hot.

Note: Make sure the switch under the camera is configured to PoE class 3 with regard to heater (AXIS P3363-VE/AXIS P3364-VE/AXIS P3364-LVE) and IR illumination (AXIS P3364-LVE), both of which will not work if configured otherwise.

Dimension (HxW)

AXIS P3363-VE/AXIS P3364-VE/AXIS P3364-LVE = 110 x 179 x 179 mm (4.33 x 7.05 x 7.05")

Weight

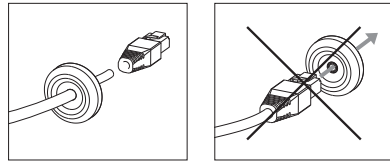
AXIS P3363-VE/AXIS P3364-VE = 1.5 kg (3.2 lb.)

AXIS P3364-LVE = 1.5 kg (3.3 lb.)

3 Install the hardware

Prepare the network cable

If a cable other than the provided cable is used, you need to prepare a network cable with a gasket. Gently force the cable through the gasket provided and attach a network connector. It may be necessary to pierce a hole in the gasket with the resitorx screwdriver.



Notes:

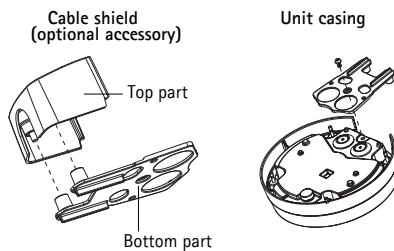
- Do not force the network connector into the gasket.
- Do not pierce the gasket with a knife or other sharp object.

Prepare the unit casing (routing cables along the wall)

If the cables are to be routed along the wall, prepare the unit casing as follows:

Note: The cable shield is an optional accessory, not supplied with the product.

1. Loosen the two screws on the cable shield (not supplied) and detach the bottom part.
2. Attach the bottom part of the cable shield to the unit casing with the screw.



Replace clear/smoked dome cover (optional)

AXIS P3363-VE/AXIS P3364-VE is supplied with an optional dome. To replace the dome cover:

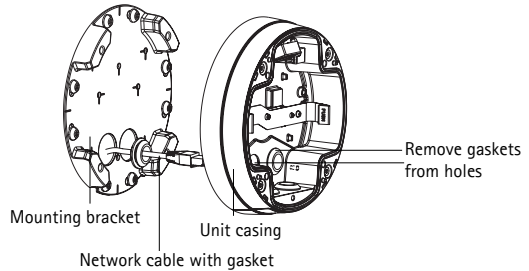
1. Loosen the 4 screws under the dome cover that hold the dome in place.
2. Transfer the gasket from the old dome to the new.
3. Replace the old dome with the new and tighten the screws.

Route the cables

Depending on whether you want to route the cables through or along the wall, follow the relevant instructions below.

Routing cables through the wall

1. Using the drill template drill 4 holes in the wall.
2. Route the network cable (and the I/O, audio cable if necessary) through the wall and through the holes in the mounting bracket.
3. Attach the mounting bracket to the wall using 4 screws appropriate for the wall material.
4. Remove the camera unit from the unit casing by pushing the springs aside.
5. Remove the gaskets from the back holes in the unit casing. If there is only one cable, remove only one gasket.
6. Route the cables through these holes.
7. Drag the gaskets along the cables and plug them into the holes. The gaskets should fit snugly with no folds or bends.
8. Attach the unit casing to the mounting bracket by tightening the four screws.

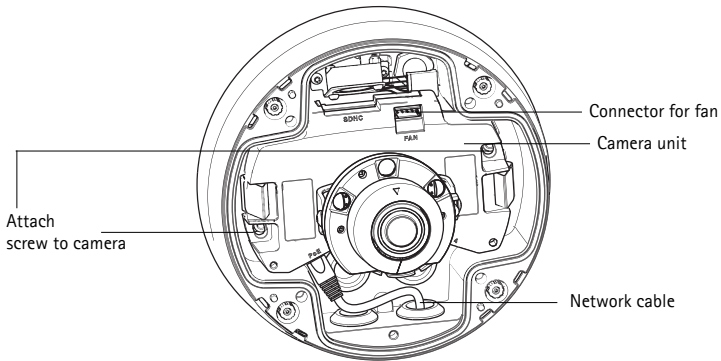


Routing cables along the wall

1. Using the drill template drill 4 holes in the wall.
2. Attach the mounting bracket to the wall using 4 screws appropriate for the wall material.
3. Remove the camera unit from the unit casing by pushing the springs aside.
4. Remove the gaskets from the side holes in the unit casing. If there is only one cable, remove only one gasket.
5. Place the unit casing on the mounting bracket and attach it by tightening the four screws.
6. Pull the cables up through the side holes in the unit casing.
7. Drag the gaskets along the cable and plug them into the holes. The gaskets should fit snugly in the holes with no folds or bends.
8. Re-attach the top part of the cable shield by tightening the two screws.

Note: The AXIS P3363-VE/P3364-VE/P3364-LVE can also be fitted with a metal conduit for protecting the cabling when cables are routed along the wall.

Install the camera unit

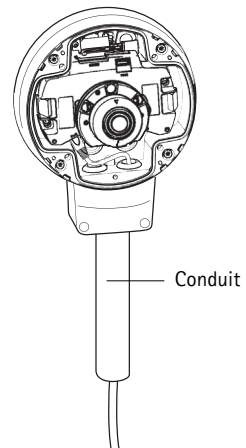


1. Attach the network cable to the camera unit; and the cable for audio and I/O if required.

Note: Be careful not to stretch or bend the network cable too much since this could cause damage to the network cable.

2. Insert the SD memory card (optional).
3. Pull aside the springs in the unit casing and click the camera unit in place.
4. Attach the fan connector to the connector in the camera unit.
5. Attach the two M4x8 20 screws to the camera for greater stability.
These screws are only necessary to secure against heavy shocks and vibrations.

Note: The AXIS P3363-VE/P3364-VE/P3364-LVE can also be fitted with a metal conduit for protecting the cabling when cables are routed along the wall.

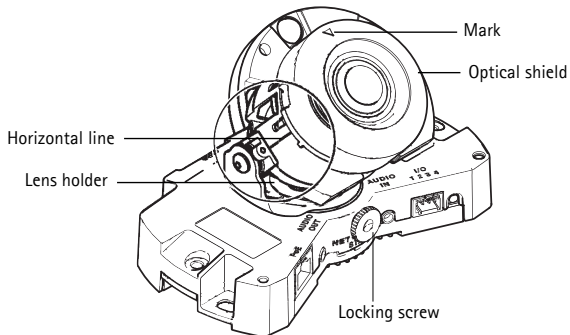


4 Access the video stream

Use the tools provided on the Installation and Management Software CD to assign an IP address, set the password and access the video stream. This information is also available from the support pages on www.axis.com/techsup

5 Adjust the Lens

Open the Live View page in the web interface and make the following adjustments to the camera:



1. Loosen the locking screw.
2. Turn the lens holder to the desired position.
3. Turn the lens to make sure the (horizontal) lines on either side of the lens are aligned horizontally.

Note: Ensure that the mark on the lens cover, between the horizontal lines, is facing up.

4. Once satisfied, gently tighten the locking screw and to secure the camera's position.
5. Open the **Focus Adjustment** page in the Web interface under **Setup > Basic Setup > Focus & Zoom**, and follow the on-screen instructions. Use the image window to adjust the focus and zoom. See the online help files for more information.

Notes:

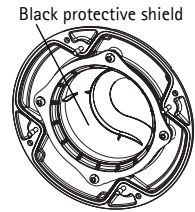
- Due to the dome's refraction, the image may appear slightly out of focus once the dome has been placed. To correct this go to the **Focus Adjustment** page in the Web interface under **Setup > Basic Setup > Focus & Zoom**, and adjust the focus again.
- When the zoom and focus are adjusted, the IR illumination is automatically aligned to the defined angle of view.

Caution!

Adjusting the focus and zoom manually can damage the lens.

6 Complete the installation

1. Rotate the black protective shield inside the dome cover so it is aligned with the camera's position (not applicable to AXIS P3364-LVE).
2. If required, attach the weather shield to the camera before you attach the dome cover (not applicable to AXIS P3364-LVE). To do this remove the two screws in the dome cover. Transfer the washers from these screws to the two long screws provided. Attach the weather shield using the two long screws.
3. Attach the dome cover to the unit casing by tightening the 4 screws.



Note: AXIS P3364-LVE Network Camera: Before attaching the dome cover make sure the optical shield sits well in place. See image on page 10.

For the AXIS P3364-LVE Network Camera, when the lens holder is tilted at a certain angle the dome cover may block part of the IR illumination. In that case:

- loosen the locking screw
- rotate the lens holder 180°
- tighten the locking screw
- for correct image orientation, rotate the lens by 180°; make sure the horizontal lines are aligned and the mark between them is facing up.

Unit connectors

Network connector - RJ-45 Ethernet connector. Supports Power over Ethernet.

NOTICE

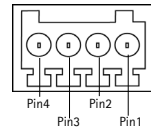
The product shall be connected using a shielded network cable (STP). All cables connecting the product to the network switch shall be shielded (STP) and intended for their specific use. Make sure that the network switch is properly grounded. See Electromagnetic Compatibility (EMC) on page 2 for regulatory requirements.

Audio in - 3.5mm input for a mono microphone, or a line-in mono signal (left channel is used from a stereo signal).

Audio out - Audio output (line level) that can be connected to a public address (PA) system or an active speaker with a built-in amplifier. A pair of headphones can also be attached. A stereo connector must be used for the audio out.

SDHC memory card slot - The SD memory card can be used for local recording with removable storage.

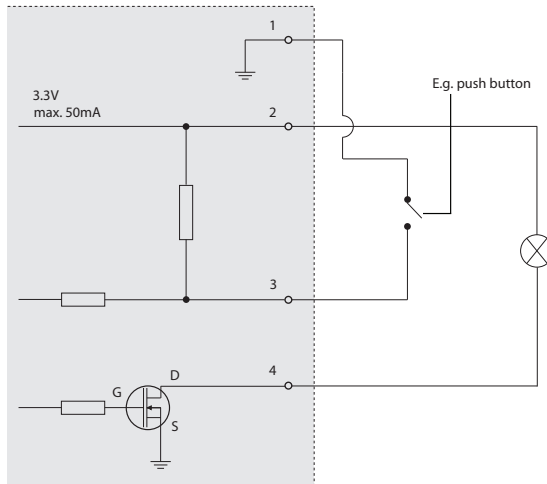
I/O terminal connector - Used in applications for e.g. motion detection, event triggering, time lapse recording and alarm notifications. In addition to an auxiliary power and a GND pin, it provides the interface to:



- 1 transistor output - For connecting external devices such as relays and LEDs. Connected devices can be activated by the VAPIX® Application Programming Interface (API), by the output buttons on the Live View page or by an Action Rule. The output will show as active (shown under System Options > Ports & Devices) if the alarm device is activated.
- 1 digital input - An alarm input for connecting devices that can toggle between an open and closed circuit, for example: PIRs, door/window contacts, and glass break detectors. When a signal is received the state changes and the input becomes active (shown under System Options > Ports & Devices).

Function	Pin	Notes	Specifications
GND	1	Ground	
3.3V DC Power	2	Can be used to power auxiliary equipment. Note: This pin can <u>only</u> be used as power out.	Max. load = 50mA
Digital Input	3	Connect to GND to activate, or leave floating (or unconnected) to deactivate.	Min. input= 0 to - 40V DC Max. input=0 to + 40V DC
Digital Output	4	Uses an open-drain NFET transistor with the source connected to GND. If used with an external relay, a diode must be connected in parallel with the load, for protection against voltage transients.	Max. load = 100mA Max voltage = + 40V DC

The following connection diagram gives an example of how to connect an auxiliary device to the AXIS P3363-VE/P3364-VE/P3364-LVE.



LED indicators

LED	Color	Indication
Network	Green	Steady for connection to a 100 Mbit/s network. Flashes for network activity.
	Amber	Steady for connection to 10 Mbit/s network. Flashes for network activity.
	Unlit	No network connection.
Status	Green	Steady green for normal operation.
	Amber	Steady during startup; flashes once during reset to factory default or while restoring settings.
	Red	Slow flash for failed upgrade.
Power	Green	Normal operation.
	Amber	Flashes green/amber during firmware upgrade.

Resetting to the Factory Default Settings

This will reset all parameters, including the IP address, to the factory default settings:

1. Disconnect power from the camera.
2. Press and hold the Control button and reconnect power (see "*Hardware overview*" on page 6).
3. Keep the Control button pressed for about 15 seconds until the Status indicator displays amber.
4. Release the Control button. The process is complete after about 1 minute (when the Status indicator turns green). The network camera has been reset to the factory default settings. The default IP address is 192.168.0.90
5. Re-assign the IP address.
6. Refocus the camera.

It is also possible to reset parameters to factory default via the web interface. Go to Setup > System Options > Maintenance.

Further information

The user manual is available from the Axis Web site at www.axis.com. To learn more about Axis' products and technologies, visit www.axis.com/academy, the global learning center for network video.

Tip!

Visit www.axis.com/techsup to check if there is updated firmware available for your Axis product. To see the currently installed firmware version, see Setup > About in your web interface.

Warranty

For information about Axis' product warranty and thereto related information, please see www.axis.com/warranty

Mesures de sécurité

Lisez attentivement le présent Guide d'installation avant d'installer le produit Axis. Conservez le Guide d'installation pour une utilisation ultérieure.

AVS

- Conservez le produit Axis dans un environnement sec et aéré.
- Évitez d'exposer le produit Axis aux vibrations, aux chocs ou à une forte pression. N'installez pas le produit sur un support instable, ou des surfaces ou des murs instables ou vibrants, car cela pourrait l'endommager.
- N'utilisez que les outils applicables pour installer le produit Axis ; une force excessive pourrait endommager le produit.
- Pour le nettoyage, n'utilisez ni produits chimiques, ni substances caustiques ou aérosols. Utilisez un chiffon humide pour le nettoyage.
- N'utilisez que des accessoires conformes aux caractéristiques techniques du produit. Ceux-ci peuvent être fournis par Axis ou par un fournisseur tiers.
- Utilisez uniquement des pièces de rechange fournies ou recommandées par Axis.
- Ne tentez pas de réparer le produit vous-même, contactez Axis ou votre revendeur Axis pour toute réparation.

Important

- Ce produit Axis doit être utilisé conformément aux lois et réglementations locales en vigueur.
- Pour pouvoir être utilisé à l'extérieur, ce produit Axis doit être placé dans un boîtier d'extérieur homologué.
- Le produit Axis doit être installé par un professionnel qualifié. Veuillez vous conformer aux règlements nationaux et locaux relatifs à l'installation.

Transport

AVS

- Pour transporter le produit Axis et éviter de l'endommager, utilisez l'emballage d'origine ou un emballage équivalent.

Remplacement des piles

Ce produit Axis nécessite une pile au lithium CR2032 de 3,0 V pour l'alimentation de son horloge en temps réel interne. Dans des conditions normales d'utilisation, cette pile est censée durer au moins 5 ans. Si la pile est faible, le fonctionnement de l'horloge en temps réel peut être affecté et entraîner sa réinitialisation à chaque mise sous tension. Un message enregistré apparaît lorsque la pile doit être remplacée. Ne remplacez la pile qu'en cas de nécessité !

Si la pile doit être remplacée, veuillez contacter www.axis.com/techsup pour obtenir de l'aide.

⚠ AVERTISSEMENT

- Jetez les piles usagées conformément aux consignes du fabricant.

AVIS

- Le remplacement incorrect de la pile peut entraîner un risque d'explosion.
- Remplacez la pile par une pile identique ou équivalente uniquement, en respectant les recommandations du fabricant.

Nettoyer la bulle du dôme

AVIS

- Veillez à ne pas rayer ou endommager la bulle du dôme. Ne nettoyez pas la bulle du dôme si elle semble propre à l'œil nu et ne frottez jamais sa surface. Un nettoyage excessif peut l'endommager.
- Pour le nettoyage général de la bulle du dôme, il est recommandé d'utiliser un savon ou un détergent neutre sans solvant, non abrasif, avec de l'eau et un chiffon doux. Rincez abondamment avec de l'eau tiède et propre. Séchez à l'aide d'un chiffon doux pour éviter les tâches d'eau.
- N'utilisez jamais de détergents forts, d'essence, de benzène ou d'acétone, etc. et évitez toute exposition directe aux rayons du soleil ou à des températures élevées lors du nettoyage.
- Les bulles pour les produits L sont livrées avec une surface anti-rayures et le nettoyage de la bulle est recommandé, cependant veuillez respecter les précautions ci-dessus.

AXIS P3363-VE/P3364-VE/P3364-LVE

Guide d'installation de la caméra réseau

Procédez comme suit pour installer la caméra réseau.

1. « Contenu de l'emballage » à la page 17
2. « Présentation du matériel » à la page 18
3. « Installation du matériel » à la page 19
4. « Accéder au flux vidéo » à la page 22
5. « Réglage de l'objectif » à la page 22
6. « Fin de l'installation » à la page 23

Remarques :

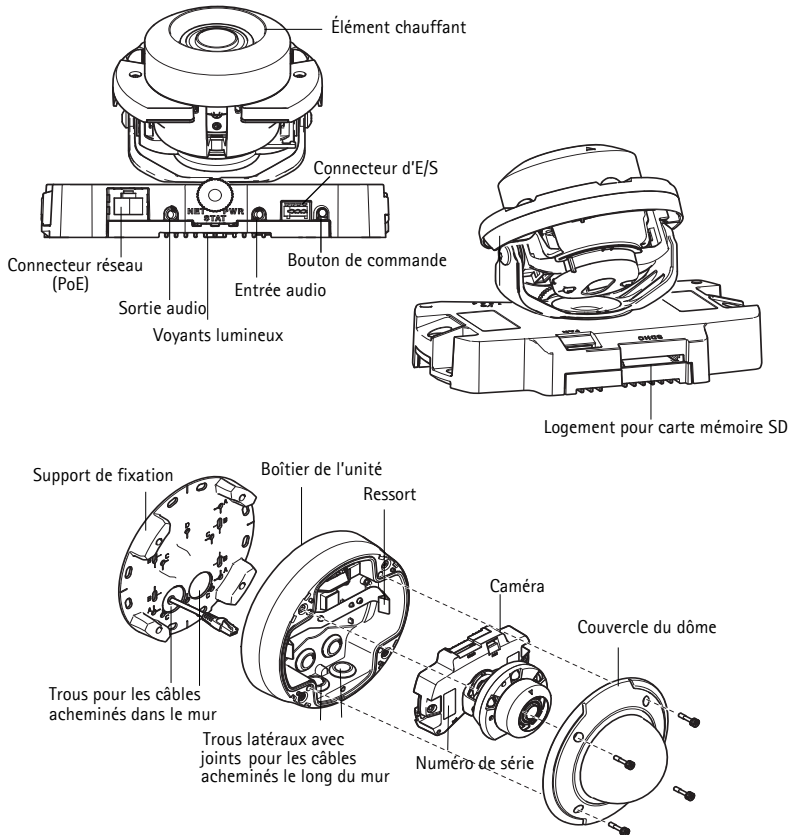
- Avant de commencer, vérifiez le contenu de l'emballage et assurez-vous que l'alimentation ainsi que les câbles, les outils et la documentation nécessaires sont disponibles. Voir *Contenu de l'emballage* ci-dessous.
- Cette caméra réseau est conçue pour fonctionner avec un connecteur réseau (PoE). Si vous n'en disposez pas, utilisez l'injecteur PoE Axis à 1 port (non fourni).

1 Contenu de l'emballage

Élément	Modèles/variantes/remarques
Caméra réseau avec module chauffant	AXIS P3363-VE AXIS P3364-VE AXIS P3364-LVE
Support de fixation	
Bulles de dôme	Bulle transparente non fumée (non applicable pour l'AXIS P3364-LVE) Bulle transparente fumée
Protection étanche	Non applicable pour l'AXIS P3364-LVE
Étiquettes	2 étiquettes adhésives portant le numéro de série
Kit de montage	Tournevis Resitorx, 2 vis longues, gabarit de perçage, câble réseau de 5 mètres avec joint, 1 joint, connecteur de bornier.
CD	CD du logiciel d'installation et de gestion
Documentation imprimée	Guide d'installation (le présent document) Clé d'authentification AVHS
Accessoires en option	Adaptateur filet avec câble blindé Rendez-vous sur www.axis.com pour en savoir plus sur les accessoires disponibles.

2 Présentation du matériel

Caméra AXIS P3363



Attention : l'élément thermique de la caméra peut être chaud.

Remarque : Assurez-vous que le commutateur situé sous la caméra est positionné en classe 3 en ce qui concerne le chauffage (AXIS P3363-VE/AXIS P3364-VE/AXIS P3364-LVE) et l'allumage des IR (AXIS P3364-LVE), ces deux fonctions ne marchant pas si configuré différemment.

Dimensions (H x l)

AXIS P3363-VE, AXIS P3364-VE, AXIS P3364-LVE = 110 x 179 x 179 mm (4,33 x 7,05 x 7,05")

Poids

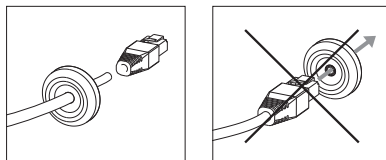
AXIS P3363-VE, AXIS P3364-VE = 1,5 kg

AXIS P3364-LVE = 1,5 kg

3 Installation du matériel

Préparation du câble réseau

Si vous utilisez un câble autre que celui fourni, il est nécessaire de préparer un câble réseau avec un joint. Faites passer délicatement le câble à travers le joint fourni et complétez-le par un connecteur réseau. Il peut être nécessaire de percer un trou dans le joint à l'aide du tournevis Resistorx.



Remarques :

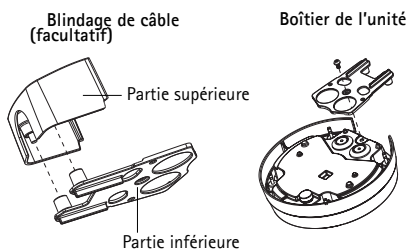
- Ne forcez pas l'entrée du connecteur réseau dans le joint.
- Ne percez pas le joint avec un couteau ou tout autre objet tranchant.

Préparation du boîtier de l'unité (acheminement des câbles le long du mur)

Si les câbles doivent être acheminés le long du mur, préparez le boîtier de l'unité de la manière suivante :

Remarque : Le blindage de câble est facultatif, et n'est pas fourni avec le produit.

1. Dévissez les deux vis sur le blindage de câble (non fourni) et détachez la partie inférieure.
2. Fixez la partie inférieure du blindage de câble au boîtier de l'unité avec la vis.



Remplacement de la bulle de dôme fumée ou non fumée (facultatif)

Les caméras AXIS P3363-VE et AXIS P3364-VE sont livrées avec un dôme facultatif. Pour remplacer la bulle du dôme :

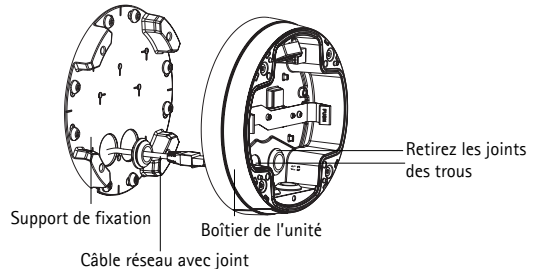
1. Sous la bulle du dôme, dévissez les 4 vis qui maintiennent le dôme en place.
2. Transférez le joint de l'ancien dôme au nouveau dôme.
3. Remplacez l'ancien dôme par le nouveau et serrez les vis.

Acheminement des câbles

Selon que vous souhaitez faire passer les câbles le long du mur ou dans le mur, suivez les instructions correspondantes ci-dessous.

Acheminement des câbles dans le mur

1. En vous servant du gabarit de perçage, percez 4 trous dans le mur.
2. Faites passer le câble réseau (ainsi que le câble d'E/S audio si nécessaire) dans le mur et dans les trous du support de fixation.
3. Fixez le support de fixation au mur en utilisant 4 vis appropriées.
4. Retirez la caméra du boîtier de l'unité en écartant les ressorts.
5. Retirez les joints des trous arrière du boîtier de l'unité. S'il n'y a qu'un seul câble, retirez un seul joint.
6. Acheminez les câbles par ces trous.
7. Faites glisser les joints le long des câbles et fixez-les dans les trous. Les joints doivent être parfaitement ajustés, sans plis ni courbures.
8. Fixez le boîtier de l'unité au support de fixation en serrant les quatre vis.

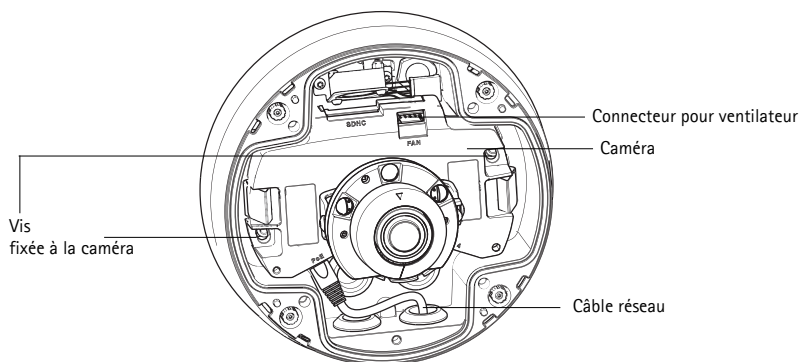


Acheminement des câbles le long du mur

1. En vous servant du gabarit de perçage, percez 4 trous dans le mur.
2. Fixez le support de fixation au mur en utilisant 4 vis appropriées.
3. Retirez la caméra du boîtier de l'unité en écartant les ressorts.
4. Retirez les joints des trous latéraux du boîtier de l'unité. S'il n'y a qu'un seul câble, retirez un seul joint.
5. Posez le boîtier de l'unité sur le support de fixation et fixez-le en serrant les quatre vis.
6. Faites passer les câbles à travers les trous latéraux du boîtier de l'unité.
7. Faites glisser les joints le long du câble et fixez-les dans les trous. Les joints doivent être parfaitement ajustés aux trous, sans plis ni courbures.
8. Fixez à nouveau la partie supérieure du blindage de câble en resserrant les deux vis.

Remarque : Les caméras AXIS P3363-VE/P3364-VE/P3364-LVE peuvent également être dotées d'un tube métallique pour protéger le câblage lors de l'acheminement des câbles le long du mur.

Installation de la caméra

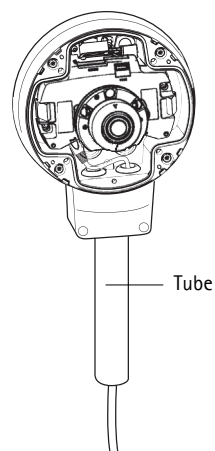


1. Fixez le câble réseau à la caméra ainsi que le câble audio et d'E/S si nécessaire.

Remarque : Veillez à ne pas trop étirer ou tordre le câble réseau. Cela pourrait l'endommager.

2. Insérez la carte mémoire SD (facultatif).
3. Écartez les ressorts du boîtier de l'unité et insérez la caméra (vous devez entendre un clic lorsque la caméra est correctement enclenchée).
4. Fixez le connecteur du ventilateur au connecteur de la caméra.
5. Fixez les deux vis M4x8 20 à la caméra pour une meilleure stabilité.
Ces vis sont uniquement nécessaires pour protéger l'unité contre les vibrations et les chocs importants.

Remarque : Les caméras AXIS P3363-VE/P3364-VE/P3364-LVE peuvent également être dotées d'un tube métallique servant à protéger le câblage lors d'un acheminement des câbles le long du mur.



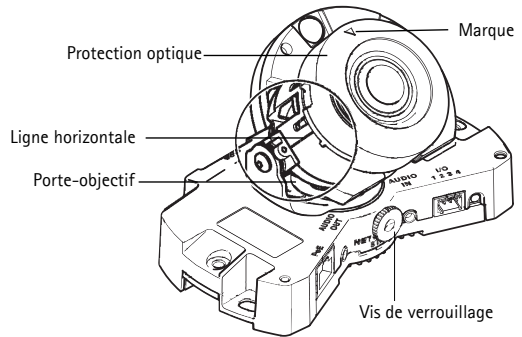
4 Accéder au flux vidéo

Utilisez les outils fournis dans le CD d'installation contenant les logiciels de gestion vidéo pour attribuer une adresse IP, définir le mot de passe et accéder au flux vidéo. Ces informations sont également disponibles sur les pages de support en ligne à l'adresse www.axis.com/techsup

5 Réglage de l'objectif

Ouvrez la page **Live View** (Vidéo en direct) dans l'interface Web et effectuez les réglages suivants sur la caméra :

1. Dévissez la vis de verrouillage.
2. Tournez le porte-objectif dans la position souhaitée.
3. Tournez l'objectif de manière à ce que les lignes (horizontales) de chaque côté de l'objectif soient alignées horizontalement.



Remarque : Assurez-vous que la marque sur le couvercle de l'objectif, entre les lignes horizontales, est dirigée vers le haut.

4. Une fois que vous avez terminé, serrez délicatement la vis de verrouillage pour bien fixer la caméra.
5. Ouvrez la page **Focus Adjustment** (Réglage de la mise au point) de l'interface Web sous **Setup > Basic Setup > Focus Et Zoom** (Configuration > Configuration de base > Mise au point et zoom), et suivez les instructions à l'écran. Utilisez la fenêtre d'image pour régler le zoom et la mise au point. Reportez-vous à l'aide en ligne pour plus d'informations.

Remarques :

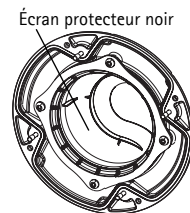
- Du fait de la réfraction du dôme, l'image peut apparaître légèrement floue une fois le dôme installé. Pour corriger l'image, ouvrez la page **Focus Adjustment** (Réglage de la mise au point) de l'interface Web sous **Setup > Basic Setup > Focus Et Zoom** (Configuration > Configuration de base > Mise au point et zoom) et réglez à nouveau la mise au point.
- Une fois le zoom et la mise au point réglés, la lumière infrarouge est automatiquement alignée sur l'angle de vue défini.

Attention !

Le réglage manuel de la mise au point et du zoom peut endommager l'objectif.

6 Fin de l'installation

1. Tournez l'écran protecteur noir à l'intérieur de la bulle du dôme afin de l'aligner avec la position de la caméra (non applicable pour l'AXIS P3364-LVE).
2. Si nécessaire, fixez la protection étanche sur la caméra avant de fixer la bulle du dôme (non applicable pour l'AXIS P3364-LVE). Pour cela, retirez les deux vis de la bulle du dôme. Transférez les rondelles de ces vis sur les deux longues vis fournies. Fixez la protection étanche en utilisant les deux vis longues.
3. Fixez la bulle du dôme sur le boîtier de l'unité en serrant les 4 vis.



Remarque : Caméra réseau AXIS P3364-LVE: Avant de fixer le couvercle du dôme veuillez-vous assurer que la protection optique est bien en place. Voir illustration ci-dessus (page 22).

Pour la Caméra réseau AXIS P3364-LVE, lorsque le porte-objectif est incliné selon un certain angle, la bulle du dôme peut bloquer la lumière infrarouge. Dans ce cas :

- Dévissez la vis de verrouillage.
- Tournez le porte-objectif de 180°.
- Serrez la vis de verrouillage.
- Pour une bonne orientation de l'image, tournez l'objectif de 180°. Assurez-vous que les lignes horizontales sont alignées et que la marque entre elles est dirigée vers le haut.

Connecteurs de l'unité

Connecteur réseau : connecteur Ethernet RJ-45. Compatible avec l'alimentation par Ethernet.

Attention !

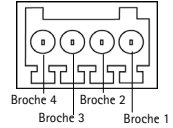
Conformément aux réglementations locales ou environnementales et compte tenu des conditions électriques dans lesquelles le produit doit être utilisé, un câble réseau blindé (STP) peut convenir, voire s'avérer obligatoire. Les câbles réseau acheminés dans des environnements extérieurs ou similaires doivent être blindés (STP) et conçus pour cet usage spécifique. Assurez-vous que le commutateur réseau soit correctement mis à la terre. Pour consulter les réglementations correspondantes, reportez-vous à la section Compatibilité électromagnétique.

Entrée audio : entrée de 3,5 mm pour microphone mono ou signal mono avec entrée de haut niveau (le canal de gauche est utilisé pour le signal stéréo).

Sortie audio : sortie audio (niveau de ligne) qui peut être connectée à un système d'annonce publique ou à un haut-parleur actif avec amplificateur intégré. Il est également possible de connecter une paire d'écouteurs. Un connecteur stéréo doit être utilisé pour la sortie audio.

Logement de carte mémoire SDHC : la carte mémoire SD peut être utilisée pour l'enregistrement local avec stockage amovible.

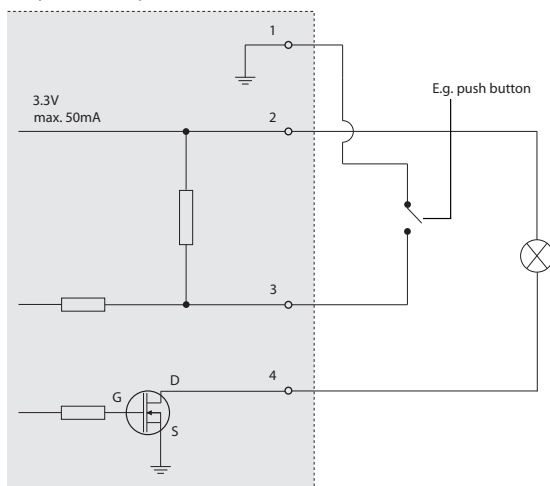
Connecteur pour terminaux E/S : Utilisé dans le cadre d'applications telles que la détection de mouvements, le déclenchement d'événements, l'enregistrement à intervalles et les notifications d'alarmes. En plus d'une alimentation auxiliaire et d'une broche GND, il assure l'interface avec :



- 1 sortie transistor, qui permet de connecter des périphériques externes, comme des relais ou des DEL. Les périphériques connectés peuvent être activés par l'interface de programmation d'applications (API) VAPIX, à l'aide des boutons de sortie sur la page Live View (Vidéo en direct) ou par une règle d'action. La sortie est considérée comme étant active (comme indiqué dans System Options > Ports & Devices (Options Système > Ports & Dispositifs)) si le dispositif d'alarme est activé.
- 1 entrée numérique : une entrée d'alarme utilisée pour connecter des périphériques pouvant passer d'un circuit ouvert à un circuit fermé, soit par exemple : des détecteurs infrarouges passifs, des contacts de porte/fenêtre et des détecteurs de bris de verre. Lorsqu'un signal est reçu, l'état change et l'entrée devient active (comme indiqué dans System Options > Ports & Devices (Options Système > Port & Dispositifs))

Fonction	Broche	Remarques	Caractéristiques techniques
GND (Terre)	1	Mise à la terre	
Alimentation 3,3 V CC	2	Peut servir à alimenter le matériel auxiliaire. Remarque : la broche peut être utilisée <u>uniquement</u> comme sortie d'alimentation.	Charge max. = 50 mA
Entrée numérique	3	La connecter à la terre pour l'activer ou la laisser flotter (ou déconnectée) pour ne pas l'activer.	Entrée minimum = de 0 à -40 V CC Entrée maximum = de 0 à 40 V CC
Sortie numérique	4	Utilise un transistor NFET à drain ouvert avec la source connectée à la terre. En cas d'utilisation avec un relais externe, une diode doit être connectée en parallèle avec la charge, en guise de protection contre les tensions transitoires.	Charge max. = 100 mA Tension maximale = +40 V CC

Le schéma de câblage suivant fournit un exemple de connexion d'un périphérique auxiliaire à la caméra AXIS P3363-VE/P3364-VE/P3364-LVE.



Voyants lumineux

Voyant	Couleur	Indication
Réseau	Vert	Continu en cas de connexion à un réseau de 100 Mbit/s. Clignote en cas d'activité réseau.
	Orange	Continu en cas de connexion à un réseau de 10 Mbit/s. Clignote en cas d'activité réseau.
	Éteint	Pas de connexion réseau.
État	Vert	Vert continu en cas de fonctionnement normal.
	Orange	En continu pendant le démarrage, clignote une fois pendant la réinitialisation des valeurs d'usine par défaut ou la restauration des paramètres.
	Rouge	Clignote lentement en cas d'échec de la mise à niveau.
Alimenta-tion	Vert	Fonctionnement normal.
	Orange	Le voyant vert/orange clignote pendant la mise à niveau des micrologiciels.

Rétablissement des paramètres d'usine par défaut

Procédez comme suit pour rétablir les paramètres par défaut définis en usine et réinitialiser l'adresse IP :

1. Mettez la caméra hors tension.
2. Maintenez le bouton de commande enfoncé et remettez la caméra sous tension (voir « *Présentation du matériel* » à la page 18).
3. Appuyez sur le bouton de commande pendant environ 15 secondes, jusqu'à ce que l'indicateur d'état devienne orange.
4. Relâchez le bouton de commande. Le processus prend fin après environ 1 minute (lorsque le voyant d'état devient vert). Les paramètres d'usine de la caméra réseau ont été rétablis. L'adresse IP par défaut est 192.168.0.90.
5. Réattribuez l'adresse IP.
6. Recommencez la mise au point de la caméra.

Il est également possible de rétablir les paramètres d'usine à partir de l'interface web. Cliquez sur Setup > System Options > Maintenance (Configuration > Options système > Maintenance).

Plus d'informations

Le Manuel d'utilisation est disponible sur le site Internet d'Axis à l'adresse www.axis.com. Pour en savoir plus sur les produits et technologies Axis, rendez-vous sur www.axis.com/academy, le centre de formation mondial pour la vidéo sur IP.

Conseil utile !

Consultez le site www.axis.com/techsup pour vérifier si des mises à jour des micrologiciels sont disponibles pour votre produit Axis. Pour connaître la version du micrologiciel actuellement installée, reportez-vous à la page Setup > About (Configuration > À propos de) dans votre interface web.

Garantie

Pour plus d'informations sur la garantie des produits Axis et des informations générales relatives à celle-ci merci de consulter le site www.axis.com/warranty

Sicherheitsvorkehrungen

Bitte lesen Sie diese Installationsanleitung sorgfältig durch, bevor Sie mit der Installation des Axis Produkts beginnen. Halten Sie die Installationsanleitung bereit, falls Sie darauf zurückgreifen müssen.

HINWEIS

- Lagern Sie das Axis-Produkt in einer trockenen und belüfteten Umgebung.
- Setzen Sie das Axis Produkt keinen Vibrationen, Erschütterungen oder starkem Druck aus. Installieren Sie das Produkt nicht an instabilen Halterungen oder instabilen oder vibrierenden Oberflächen oder Mauern, da dadurch das Produkt beschädigt werden könnte.
- Verwenden Sie bei der Installation des Axis Produkts nur geeignetes Werkzeug; zu hoher Kraftaufwand kann das Produkt beschädigen.
- Verwenden Sie keine chemischen, ätzenden oder aerosolhaltigen Reinigungsmittel. Verwenden Sie zur Reinigung ein feuchtes Tuch.
- Verwenden Sie nur Zubehör, das den technischen Spezifikationen des Produkts entspricht. Dieses ist von Axis oder Drittanbietern erhältlich.
- Verwenden Sie nur Ersatzteile, die von Axis empfohlen bzw. bereitgestellt wurden.
- Versuchen Sie nicht, das Produkt selbst zu reparieren. Wenden Sie sich bei Service-Angelegenheiten an Axis oder an Ihren Axis-Händler.

Wichtig

- Verwenden Sie dieses Axis-Produkt unter Beachtung der vor Ort geltenden rechtlichen Bestimmungen.
- Um dieses Axis-Produkt im Freien verwenden zu können, muss es in einem zugelassenen Außengehäuse installiert werden.
- Das Axis Produkt sollte nur von geschultem Fachpersonal installiert werden. Beachten Sie bei der Montage die geltenden nationalen und lokalen Bestimmungen.

Transport

HINWEIS

- Bewahren Sie die Schutzverpackung auf. Beim Transport des Axis Produkts muss die Schutzverpackung an ihre ursprüngliche Position gesetzt werden.

Batteriewechsel

Dieses Axis-Produkt ist mit einer 3,0 V CR2032 Lithium-Batterie als Stromversorgung für die interne Echtzeituhr (RTC) ausgestattet. Unter normalen Bedingungen hält die Batterie mindestens 5 Jahre. Bei entladener Batterie ist der Betrieb der Echtzeituhr nicht mehr ausreichend gewährleistet, so dass die Uhr bei jedem Systemstart zurückgesetzt wird. Sie erhalten eine Protokollnachricht, wenn ein Batteriewechsel erforderlich ist. Die Batterie sollte erst bei Bedarf gewechselt werden.

Unter www.axis.com/techsup finden Sie Informationen darüber, was Sie beim Austausch der Batterie beachten müssen.

⚠️ WARNUNG

- Verbrauchte Batterien sind gemäß den Herstelleranweisungen zu entsorgen.

HINWEIS

- Explosionsgefahr bei fehlerhaftem Batteriewechsel!
- Die Batterie muss durch dasselbe oder ein gleichwertiges Fabrikat ersetzt werden, das vom Hersteller zugelassen ist.

Reinigung der Kuppelabdeckung

HINWEIS

- Achten Sie darauf, die Kuppelabdeckung nicht zu zerkratzen oder zu beschädigen. Reinigen Sie die Kuppelabdeckung nicht, solange sie sauber aussieht, und polieren Sie niemals die Oberfläche. Übermäßiges Reinigen kann die Oberfläche beschädigen.
- Zur allgemeinen Reinigung einer Kuppelabdeckung wird die Verwendung einer nicht aggressiven, lösungsmittelfreien neutralen Seife bzw. eines solchen Reinigungsmittels zusammen mit Wasser und einem weichen Tuch empfohlen. Spülen Sie gut mit sauberem, lauwarmem Wasser nach. Trocknen Sie die Kuppelabdeckung mit einem weichen Tuch ab, um Wasserflecken zu vermeiden.
- Verwenden Sie niemals scharfe Reinigungsmittel, Benzin, Benzol, Aceton o. Ä., und führen Sie die Reinigung nicht unter direkter Sonneneinstrahlung oder bei hohen Temperaturen durch.
- Dome-Abdeckungen für L-Produkte sind mit einer Anti-Kratz-Oberfläche ausgestattet. Eine Reinigung des Domes wird empfohlen, allerdings sollten Sie hierbei die zuvor genannten Punkte beachten.

AXIS P3363-VE/P3364-VE/P3364-LVE

Installationsanleitung für die Netzwerk-Kamera

Führen Sie zur Installation der Netzwerk-Kamera die folgenden Schritte aus:

1. „Inhalt des Produktpakets“ auf Seite 29
2. „Hardwareübersicht“ auf Seite 30
3. „Installation der Hardware“ auf Seite 31
4. „Zugriff auf den Video Stream“ auf Seite 34
5. „Anpassen des Objektivs“ auf Seite 34
6. „Installation abschließen“ auf Seite 35

Hinweise:

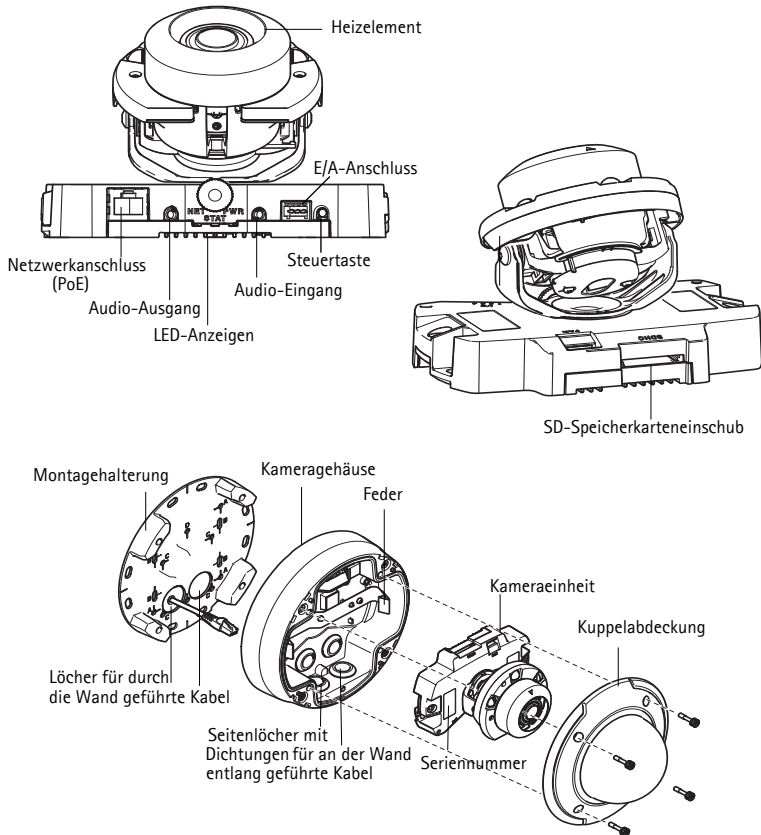
- Stellen Sie vor der Installation sicher, dass der Lieferumfang vollständig ist und das Netzteil sowie die erforderlichen Kabel, Werkzeuge und Dokumentationen verfügbar sind. Siehe *Inhalt des Produktpakets* unten.
- Diese Netzwerk-Kamera wird über Power over Ethernet (PoE) mit Strom versorgt. Falls PoE nicht zur Verfügung steht, verwenden Sie den AXIS PoE Midspan 1-Anschluss (separat erhältlich)

1 Inhalt des Produktpakets

Artikel	Modelle/Varianten/Notizen
Netzwerk-Kamera mit Heizmodul	AXIS P3363-VE AXIS P3364-VE AXIS P3364-LVE
Montagehalterung	
Kuppelabdeckungen	Klare transparente Abdeckung (gilt nicht für AXIS P3364-LVE) Abdeckung aus Rauchglas
Wetterschutz	Gilt nicht für AXIS P3364-LVE
Etiketten	Zwei Klebe-Etiketten mit der Seriennummer
Montagesatz	Resitorx-Schraubendreher, zwei lange Schrauben, Bohrschablone, 5 m langes Netzwerkabel mit Dichtung, eine Dichtung, Anschlussblockstecker
CD-ROM	CD mit Installations- und Verwaltungssoftware
Gedruckte Dokumentation	Installationsanleitung (dieses Dokument) AVHS-Authentifizierungsschlüssel
Optionales Zubehör	Gewindeadapter mit Kabelabdeckung Unter www.axis.com finden Sie Informationen zum verfügbaren Zubehör

2 Hardwareübersicht

Kamera AXIS P3363



Vorsicht! Das Heizelement in der Kameraeinheit kann heiß sein.

Hinweis: Bitte stellen Sie sicher, dass der Schalter unter der Kamera auf PoE-Klasse 3 eingestellt ist, damit die Heizung (AXIS P3363-VE/AXIS P3364-VE/AXIS P3364-LVE) und die IR-Beleuchtung (AXIS P3364-LVE) aktiviert werden können. Beide Komponenten funktionieren nicht, wenn eine andere Konfiguration eingestellt ist.

Abmessungen (H x B)

AXIS P3363-VE/AXIS P3364-VE/AXIS P3364-LVE = 110 x 179 x 179 mm

Gewicht

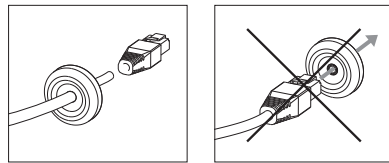
AXIS P3363-VE/AXIS P3364-VE = 1,5 kg

AXIS P3364-LVE = 1,5 kg

3 Installation der Hardware

Vorbereiten des Netzkabels

Falls ein anderes als das mitgelieferte Kabel verwendet wird, müssen Sie ein Netzkabel mit einer Dichtung vorbereiten. Führen Sie das Kabel vorsichtig durch die mitgelieferte Dichtung und bringen Sie einen Netzwerkstecker am Kabel an. Möglicherweise müssen Sie mit dem Resistorx-Schraubendreher ein Loch in die Dichtung stechen.



Hinweise:

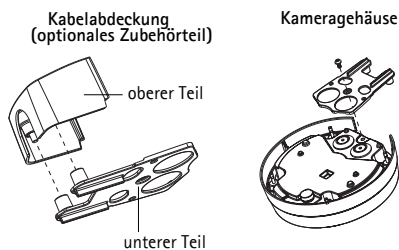
- Versuchen Sie nicht, den Netzwerkstecker durch die Dichtung zu führen.
- Stechen Sie nicht mit einem Messer oder einem anderen scharfen Gegenstand in die Dichtung.

Vorbereiten des Kameragehäuses (wenn die Kabel an der Wand entlang geführt werden)

Wenn die Kabel an der Wand entlang geführt werden sollen, bereiten Sie das Kameragehäuse wie folgt vor:

Hinweis: Die Kabelabdeckung ist ein optionales Zubehörteil und wird nicht mit dem Produkt mitgeliefert.

1. Lösen Sie die beiden Schrauben an der Kabelabdeckung und nehmen Sie den unteren Teil ab.
2. Befestigen Sie den unteren Teil der Kabelabdeckung mit der Schraube am Kameragehäuse.



Austauschen der klaren/getönten Kuppelabdeckung (optional)

Die AXIS P3363-VE/AXIS P3364-VE wird mit einer optionalen Kuppel geliefert. So tauschen Sie die Kuppelabdeckung aus:

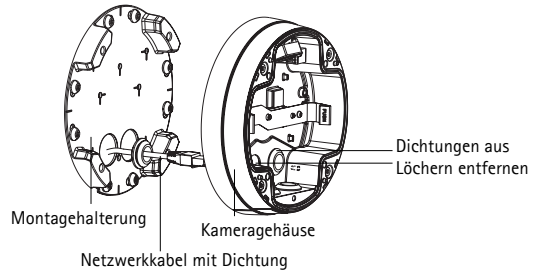
1. Lösen Sie die vier Schrauben unter der Kuppelabdeckung, die die Kuppel an ihrer Position halten.
2. Entfernen Sie die Dichtung von der alten Kuppel, und bringen Sie sie an der neuen an.
3. Tauschen Sie die alte Kuppel gegen die neue aus, und ziehen Sie die Schrauben fest.

Ziehen der Kabel

Befolgen Sie abhängig davon, ob Sie die Kabel durch die Wand oder an der Wand entlang führen möchten, die entsprechenden nachstehenden Anweisungen.

Kabel durch die Wand führen

1. Bohren Sie mithilfe der Bohrschablone vier Löcher in die Wand.
2. Führen Sie das Netzkabel (sowie bei Bedarf das E/A- bzw. Audiokabel) durch die Wand und durch die Löcher in der Halterung.
3. Befestigen Sie die Montagehalterung mit vier geeigneten Schrauben an der Wand.
4. Entfernen Sie die Kameraeinheit aus dem Kameragehäuse, indem Sie die Federn zur Seite drücken.
5. Entfernen Sie die Dichtungen von den Löchern in der Rückseite des Kameragehäuses. Falls nur ein Kabel vorhanden ist, entfernen Sie nur eine Dichtung.
6. Führen Sie die Kabel durch diese Löcher.
7. Ziehen Sie die Dichtungen an den Kabeln entlang, und drücken Sie sie in die Löcher. Die Dichtungen müssen ohne Falten oder Krümmungen fest sitzen.
8. Befestigen Sie das Kameragehäuse an der Halterung, indem Sie die vier Schrauben anziehen.

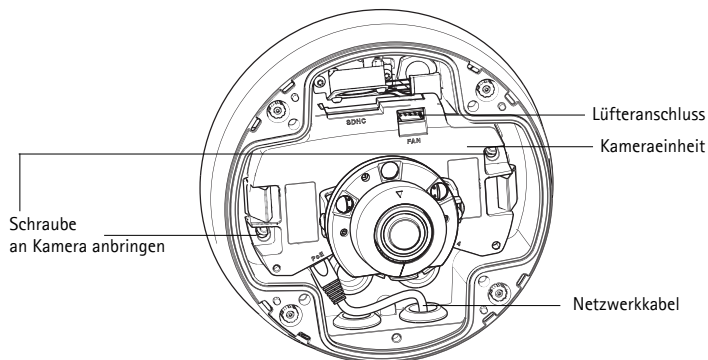


Kabel an der Wand entlang führen

1. Bohren Sie mithilfe der Bohrschablone vier Löcher in die Wand.
2. Befestigen Sie die Montagehalterung mit vier geeigneten Schrauben an der Wand.
3. Entfernen Sie die Kameraeinheit aus dem Kameragehäuse, indem Sie die Federn zur Seite drücken.
4. Entfernen Sie die Dichtungen von den Seitenlöchern im Kameragehäuse. Falls nur ein Kabel vorhanden ist, entfernen Sie nur eine Dichtung.
5. Setzen Sie das Kameragehäuse auf die Halterung, und befestigen Sie es, indem Sie die vier Schrauben anziehen.
6. Ziehen Sie die Kabel durch die Seitenlöcher im Kameragehäuse nach oben.
7. Ziehen Sie die Dichtungen am Kabel entlang, und drücken Sie sie in die Löcher. Die Dichtungen müssen ohne Falten oder Krümmungen fest in den Löchern sitzen.
8. Bringen Sie den oberen Teil der Kabelabdeckung wieder an, indem Sie die beiden Schrauben anziehen.

Hinweis: Die AXIS P3363-VE/P3364-VE/P3364-LVE kann auch mit einer Kabelführung aus Metall zum Schutz der Kabel ausgestattet werden, wenn die Kabel an der Wand entlang geführt werden.

Installieren der Kameraeinheit

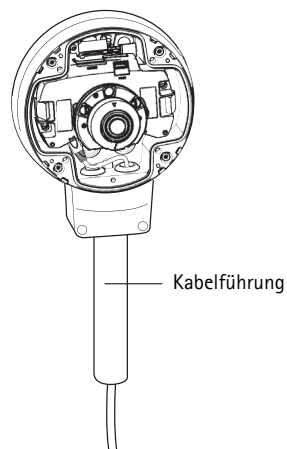


1. Schließen Sie das Netzwerkkabel sowie bei Bedarf das Kabel für Audio und E/A an die Kameraeinheit an.

Hinweis: Das Netzwerkkabel sollte nicht zu sehr gespannt oder geknickt werden, da dies das Netzwerkkabel beschädigen könnte.

2. Setzen Sie die SD-Speicherkarte ein (optional).
3. Ziehen Sie die Federn im Kameragehäuse zur Seite, und setzen Sie die Kameraeinheit so ein, dass sie in ihrer Position einrastet.
4. Schließen Sie den Stecker des Lüfters am Lüfteranschluss in der Kameraeinheit an.
5. Bringen Sie die beiden M4x8 20-Schrauben an der Kamera an, um die Stabilität zu erhöhen. Diese Schrauben sind nur zum Schutz vor starken Erschütterungen und Vibrationen erforderlich.

Hinweis: Die AXIS P3363-VE/P3364-VE/P3364-LVE kann auch mit einer Kabelführung aus Metall zum Schutz der Kabel ausgestattet werden, wenn die Kabel an der Wand entlang geführt werden.



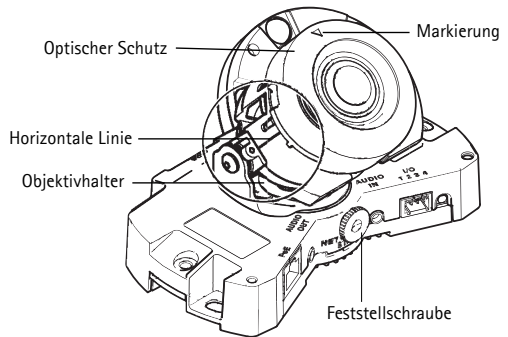
4 Zugriff auf den Video Stream

Verwenden Sie die Werkzeuge auf der Installations- und Management-Software CD, um IP-Adressen zuzuweisen, das Passwort festzulegen und auf den Videostream zuzugreifen. Sie finden diese Informationen auch auf den Support-Seiten unter www.axis.com/techsup

5 Anpassen des Objektivs

Öffnen Sie die Seite **Live View** (Live-Ansicht), und nehmen Sie die folgenden Einstellungen an der Kamera vor:

1. Lösen Sie die Arretierschraube.
2. Drehen Sie den Objektivhalter in die gewünschte Position.
3. Drehen Sie das Objektiv, um sicherzustellen, dass die (horizontalen) Linien auf jeder Seite des Objektiv horizontal fluchten.



Hinweis: Stellen Sie sicher, dass die Markierung auf der Objektivabdeckung zwischen den horizontalen Linien nach oben zeigt.

4. Wenn die richtige Ausrichtung erreicht ist, schrauben Sie die Arretierschraube vorsichtig wieder fest, um die Kameraposition zu sichern.
5. Öffnen Sie über die Weboberfläche unter **Setup > Basic Setup > Focus & Zoom** (Einrichtung > Basiskonfiguration > Fokus und Zoom) die Seite **Focus Adjustment** (Bildschärfe einstellen) und befolgen Sie die Bildschirmanweisungen. Stellen Sie mit dem Bildfenster die Bildschärfe und den Zoom ein. Weitere Informationen hierzu finden Sie in der Online-Hilfe.

Hinweise:

- Aufgrund der Lichtbrechungen auf der Glasoberfläche kann das Bild leicht unscharf erscheinen, nachdem die Kuppel installiert wurde. Sie können dies korrigieren, indem Sie in der Weboberfläche unter **Setup > Basic Setup > Focus & Zoom** (Einrichtung > Basiskonfiguration > Fokus und Zoom) die Seite **Focus Adjustment** (Bildschärfe einstellen) öffnen und die Bildschärfe erneut anpassen.
- Nach der Einstellung von Zoom und Bildschärfe wird das IR-Licht automatisch auf den festgelegten Kamerawinkel ausgerichtet.

Vorsicht!

Das manuelle Einstellen der Bildschärfe kann das Objektiv beschädigen.

6 Installation abschließen



1. Bringen Sie die schwarze Schutzabdeckung in der Kuppelabdeckung durch Drehen in Übereinstimmung mit der Kameraposition (gilt nicht für AXIS P3364-LVE).
2. Befestigen Sie bei Bedarf den Wetterschutz an der Kamera, bevor Sie die Kuppelabdeckung anbringen (gilt nicht für AXIS P3364-LVE). Entfernen Sie dazu die beiden Schrauben in der Kuppelabdeckung. Nehmen Sie die Unterlegscheiben von diesen Schrauben ab, und setzen Sie sie auf die beiden mitgelieferten langen Schrauben. Befestigen Sie den Wetterschutz mit den beiden langen Schrauben.
3. Befestigen Sie die Kuppelabdeckung am Kameragehäuse, indem Sie die vier Schrauben anziehen.

Hinweis: AXIS P3364-LVE Netzwerk-Kamera: Bevor Sie die Dom-Abdeckung montieren, stellen Sie bitte sicher, dass der optische Schutz fest an der vorgesehenen Stelle sitzt. Siehe obiges Bild (Seite34).

Wenn der Objektivhalter bei der AXIS P3364-LVE Netzwerk-Kamera in einem bestimmten Winkel geneigt wird, kann die Dome-Abdeckung einen Teil des IR-Lichts blockieren. In diesem Fall ist Folgendes zu tun:

- Lösen Sie die Arretierschraube.
- Drehen Sie den Objekthalter um 180°.
- Drehen Sie die Arretierschraube wieder fest.
- Zur korrekten Bildausrichtung drehen Sie das Objekt um 180° und stellen Sie dabei sicher, dass die horizontalen Linien fluchten und die Markierung dazwischen nach oben weist.

Geräteanschlüsse

Netzwerkanschluss – RJ-45-Ethernetanschluss. Unterstützt Power over Ethernet.

Vorsicht!

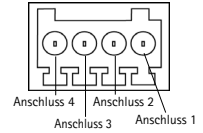
Aufgrund örtlicher Bestimmungen oder der Umgebungs- und elektrischen Bedingungen, in denen das Produkt eingesetzt werden soll, ist eventuell ein abgeschirmtes Netzkabel (STP) vorteilhaft oder erforderlich. Netzkabel, welche in Außenumgebungen oder ähnlichem geführt werden, müssen abgeschirmt sein (STP) und für diesen Zweck vorgesehen sein. Stellen Sie sicher, dass der Netzwerk-Switch ordnungsgemäß geerdet ist. Behördliche Anforderungen finden Sie unter „Elektromagnetische Verträglichkeit (EMV)“.

Audioeingang – 3,5-mm-Anschluss für ein Monomikrofon oder ein Monosignal (linker Kanal wird von einem Stereosignal benutzt).

Audioausgang – Audioausgang (Leistungsstufe) zum Anschließen einer Rundrufanlage (PA) oder eines Aktivlautsprechers mit integriertem Verstärker. Auch ein Kopfhörer kann angeschlossen werden. Für den Audioausgang muss ein Stereostecker benutzt werden.

SDHC-Speicherkarteneinschub – Die SD-Speicherkarte kann zur lokalen Aufzeichnung mit Wechselmedien verwendet werden.

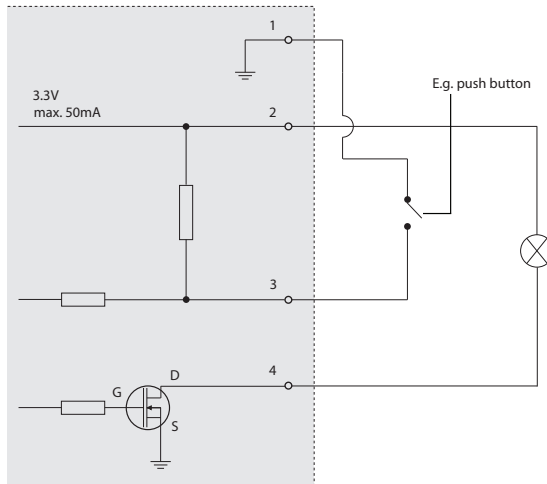
E/A-Anschluss – Wird z. B. für Bewegungserkennung, Ereignisauslösung, Zeitrafferaufnahmen, Alarmbenachrichtigungen usw. verwendet. Zusätzlich zu den Anschlüssen für die Zusatzstromversorgung und Masse fungiert er als Schnittstelle für:



- 1 Transistorausgang – Zum Anschluss externer Geräte, wie Relais und LEDs. Angeschlossene Geräte können über die VAPIX API (Application Programming Interface), über die Ausgabeschaltflächen auf der Seite „Live View“ (Live-Ansicht) oder durch eine Ereignisregel aktiviert werden. Der Ausgang wird als aktiv (siehe System Options > Ports & Devices (Systemoptionen > Schnittstellen und Geräte)) angezeigt, wenn die Alarmvorrichtung eingeschaltet ist.
- Ein digitaler Eingang – Alarmeingang für den Anschluss von Geräten, die zwischen geöffnetem und geschlossenem Schaltkreis wechseln können, z. B. PIR-Kameras, Tür-Fensterkontakte und Glasbruchmelder. Bei Empfang eines Signals ändert sich der Status und der Eingang wird aktiviert (siehe >System Options > Ports & Devices (Systemoptionen > Schnittstelle und Geräte)).

Funktion	Kontakt	Hinweise	Spezifikationen
Masse (GND)	1	Masse	
3,3 V Gleichstrom	2	Kann für die Stromversorgung von Zusatzgeräten verwendet werden. Hinweis: Dieser Kontakt kann <u>nur</u> für die Stromversorgung verwendet werden.	Max. Stromstärke = 50 mA
Digitaler Eingang	3	Zum Aktivieren mit dem Masseanschluss verbinden, zum Deaktivieren nicht anschließen.	Min. Eingang = 0 bis - 40 V Gleichstrom Max. Eingang = 0 bis + 40 V Gleichstrom
Digitaler Ausgang	4	Verwendet einen NFET-Transistor mit offener Senke, wobei die Quelle mit der Masse verbunden ist. Zum Schutz vor Spannungsspitzen muss bei der Kombination mit einem externen Relais eine Diode parallel zur Last geschaltet werden.	Max. Stromstärke = 100 mA Max. Spannung = + 40 V Gleichstrom

Das folgende Anschlussschaltbild zeigt ein Beispiel für den Anschluss eines Zusatzgeräts an den AXIS P3363-VE/P3364-VE/P3364-LVE.



LED-Anzeigen

LED	Farbe	Bedeutung
Netzwerk	Grün	Leuchtet dauerhaft bei Verbindung mit einem 100-MBit/s-Netzwerk. Blinkt bei Netzwerkaktivität.
	Gelb	Leuchtet dauerhaft bei Verbindung mit einem 10-MBit/s-Netzwerk. Blinkt bei Netzwerkaktivität.
	Leuchtet nicht	Keine Netzwerkverbindung vorhanden.
Status	Grün	Leuchtet bei Normalbetrieb konstant grün.
	Gelb	Leuchtet konstant beim Einschalten, blinkt einmal während der Wiederherstellung der Werkseinstellungen bzw. von vorherigen Einstellungen.
	Rot	Blinkt langsam bei Aktualisierungsfehler.
Power	Grün	Normaler Betrieb.
	Gelb	Blinkt grün/gelb während Firmware-Aktualisierung.

Wiederherstellen der werkseitigen Standardeinstellungen

Gehen Sie wie folgt vor, um sämtliche Parameter einschließlich der IP-Adresse auf die werkseitigen Standardeinstellungen zurückzusetzen:

1. Trennen Sie die Kamera von der Stromversorgung.
2. Halten Sie die Steuertaste gedrückt und stellen Sie die Stromversorgung wieder her (weitere Informationen hierzu finden Sie unter „*Hardwareübersicht*“ auf Seite 30).
3. Halten Sie die Steuertaste etwa 15 Sekunden gedrückt, bis die Statusanzeige gelb aufleuchtet.
4. Lassen Sie die Steuertaste los. Der Vorgang ist nach etwa einer Minute abgeschlossen (die Statusanzeige wird grün). Die Netzwerk-Kamera wurde auf die werkseitigen Standardeinstellungen zurückgesetzt. Die Standard-IP-Adresse lautet 192.168.0.90.
5. Weisen Sie die IP-Adresse erneut zu.
6. Führen Sie die Fokussierung der Kamera erneut durch.

Die Parameter können auch über die Weboberfläche auf die werkseitigen Einstellungen zurückgesetzt werden. Wählen Sie „Setup > System Options > Maintenance“ (Setup > Systemoptionen > Wartung).

Weitere Informationen

Das Benutzerhandbuch steht auf der Website von Axis unter „www.axis.com“ zur Verfügung. Um mehr über Produkte und Technologien von Axis zu erfahren, besuchen Sie uns unter „www.axis.com/academy“, dem globalem Lernzentrum für Netzwerk-Video.

Tipp!

Unter „www.axis.com/techsup“ finden Sie Firmware-Aktualisierungen für Ihr Axis-Produkt. Informationen zur aktuellen Firmware-Version finden Sie in Ihrer Weboberfläche unter „Setup“ > „About“ (Info).

Garantie

Die Garantiebedingungen für Axis Produkte sowie weitere Informationen zum Thema Garantie finden Sie unter www.axis.com/warranty

Sicurezza

Leggere attentamente questa Guida all'installazione prima di installare un prodotto Axis.
Conservare la Guida all'installazione per ulteriori riferimenti.

AVVISO

- Conservare il prodotto Axis in un ambiente asciutto e ben ventilato.
- Evitare di esporre il prodotto Axis alle vibrazioni, agli urti o a forte pressione. Non installare il prodotto su staffe instabili, superfici o pareti instabili o vibranti, poiché ciò potrebbe danneggiare il prodotto.
- Utilizzare solo strumenti idonei quando si installa il prodotto Axis. Una forza eccessiva potrebbe danneggiare il prodotto.
- Non utilizzare sostanze chimiche, agenti caustici o detergenti spray. Utilizzare un panno umido per la pulizia.
- Utilizzare solo accessori conformi con le specifiche tecniche del prodotto. Queste possono essere fornite da Axis o da terze parti.
- Utilizzare solo parti di ricambio fornite o raccomandate da Axis.
- Non tentare di riparare il prodotto da soli, contattare Axis o il rivenditore di zona Axis per assistenza.

Importante

- Questo prodotto Axis deve essere utilizzato in conformità alle leggi e alle disposizioni locali.
- Per utilizzare questo prodotto Axis all'esterno, è necessario installarlo in un alloggiamento per esterni approvato.
- Il prodotto Axis deve essere installato da un tecnico qualificato. Osservare le disposizioni nazionali e locali per l'installazione.

Trasporto

AVVISO

- Quando si trasporta il prodotto Axis, utilizzare l'imballo originale o un imballo equivalente per evitare di danneggiare il prodotto.

Sostituzione della batteria

Questo prodotto Axis utilizza una batteria al litio CR2032 da 3.0 V per alimentare il real-time clock (RTC) interno. In normali condizioni questa batteria ha una durata di almeno 5 anni. La batteria scarica influisce sul funzionamento dell'RTC, che viene reimpostato ad ogni accensione. Un messaggio di registro apparirà quando la batteria dovrà essere sostituita. La batteria non deve essere sostituita a meno che non sia necessario.

Se la batteria non deve essere sostituita, contattare www.axis.com/techsup per assistenza.

⚠ AVVERTENZA

- Smaltire le batterie usate secondo le istruzioni del produttore.

AVVISO

- Rischio di esplosione se la batteria non viene sostituita correttamente.
- Sostituire solo con una batteria identica o equivalente, come raccomandato dal produttore.

Pulizia della copertura a cupola

AVVISO

- Fare attenzione a non graffiare o danneggiare la copertura a cupola. Non pulire una copertura a cupola visivamente pulita e non lucidare mai la superficie. Una pulizia eccessiva potrebbe danneggiare la superficie.
- Per la pulizia generale della copertura a cupola si raccomanda l'uso di un sapone neutro, non abrasivo e privo di solventi o di un detergente con acqua e un panno morbido. Risciacquare perfettamente con acqua tiepida pulita. Asciugare con un panno morbido per evitare macchie d'acqua.
- Non utilizzare detergenti irritanti, benzina, benzene o acetone, ecc. ed evitare di pulire alla luce diretta del sole o a temperature elevate.
- Le cupole per i prodotti in versione L sono caratterizzate da superfici antigraffio e ne è possibile e consigliata la pulitura. Tuttavia si prega di osservare le seguenti precauzioni.

AXIS P3363-VE/P3364-VE/P3364-LVE

Guida all'installazione della telecamera di rete

Per installare la telecamera di rete, attenersi alla seguente procedura

1. "Contenuto della confezione" alla pagina 41
2. "Panoramica dell'hardware" alla pagina 42
3. "Installazione dell'hardware" alla pagina 43
4. "Accesso al flusso video" alla pagina 46
5. "Regolazione dell'obiettivo" alla pagina 46
6. "Completare l'installazione" alla pagina 47

Note:

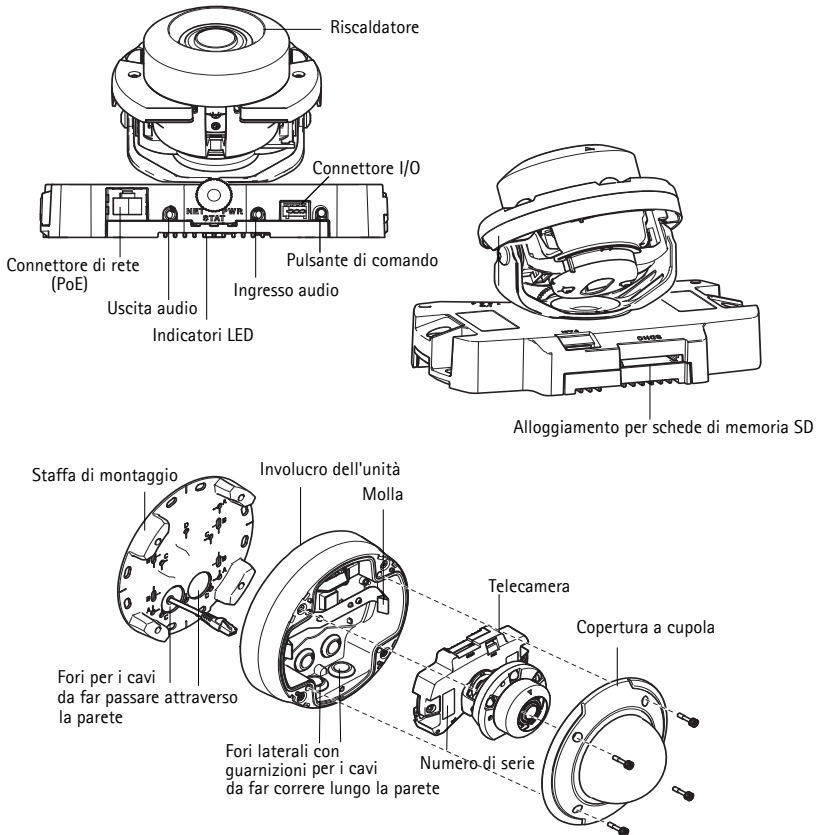
- Prima di iniziare, verificare che sia disponibile tutto il contenuto della confezione, l'alimentatore, i cavi necessari, gli utensili e la documentazione. Vedere *Contenuto della confezione* di seguito.
- Questa telecamera di rete è progettata per essere utilizzata con la tecnologia PoE. Se tale tecnologia non è disponibile, utilizzare un midspan PoE Axis a 1 porta (non fornito di serie).

1 Contenuto della confezione

Elemento	Modelli/varianti/note
Telecamera di rete con modulo riscaldatore	AXIS P3363-VE AXIS P3364-VE AXIS P3364-LVE
Staffa di montaggio	
Coperture a cupola	Copertura trasparente chiara (non applicabile per AXIS P3364-LVE) Copertura trasparente sfumata
Schermo di protezione contro gli agenti atmosferici	Non applicabile per AXIS P3364-LVE
Etichette	2 etichette adesive con numero di serie
Kit di montaggio	Cacciavite Resitorx, 2 viti lunghe, maschera di foratura, cavo di rete da 5 metri con guarnizione, 1 guarnizione, morsettiere
CD	CD di installazione e gestione
Documentazione cartacea	Guida all'installazione (questo documento) Chiave di autenticazione AVHS
Accessori opzionali	Adattatore filettato con schermo per i cavi Visitare il sito Web www.axis.com per informazioni sugli accessori disponibili

2 Panoramica dell'hardware

Telecamera AXIS P3363



Attenzione! Il riscaldatore della telecamera potrebbe essere caldo.

Nota: Assicurarsi che l'interruttore posto sul retro della camera sia configurato su PoE classe 3 per quanto riguarda il riscaldatore (AXIS P3363-VE/AXIS P3364-VE/AXIS P3364-LVE) e l'illuminazione IR (AXIS P3364-LVE), entrambe le funzioni non si abilitano se configurato diversamente.

Dimensioni (HxL)

AXIS P3363-VE/AXIS P3364-VE/AXIS P3364-LVE = 110 x 179 x 179 mm

Peso

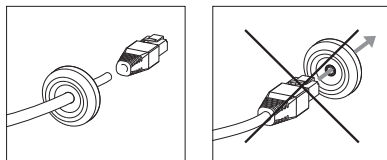
AXIS P3363-VE/AXIS P3364-VE = 1,5 kg

AXIS P3364-LVE = 1,5 kg

3 Installazione dell'hardware

Preparazione del cavo di rete

Se si utilizza un cavo diverso da quello fornito, sul cavo di rete è necessario montare una guarnizione. Spingere delicatamente il cavo nella guarnizione fornita e fissarlo al connettore di rete. Può talvolta essere necessario forare la guarnizione con il cacciavite Resitorx.



Note:

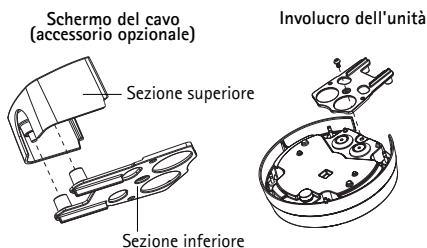
- Non spingere a forza il connettore di rete nella guarnizione.
- Non forare la guarnizione con un coltello o un altro oggetto appuntito.

Preparazione dell'alloggiamento (installazione dei cavi nella parete)

Se i cavi devono passare lungo la parete, attenersi alla seguente procedura per preparare l'alloggiamento:

Nota: Lo schermo per il cavo è un accessorio opzionale, non incluso nella dotazione.

1. Allentare le due viti sullo schermo del cavo (non fornito) e staccare la parte inferiore.
2. Utilizzando la vite, fissare la parte inferiore dello schermo del cavo all'alloggiamento.



Sostituzione della copertura a cupola trasparente/oscureta (facoltativo)

La telecamera AXIS P3363-VE/AXIS P3364-VE viene fornita con una cupola opzionale. Per sostituire la copertura a cupola:

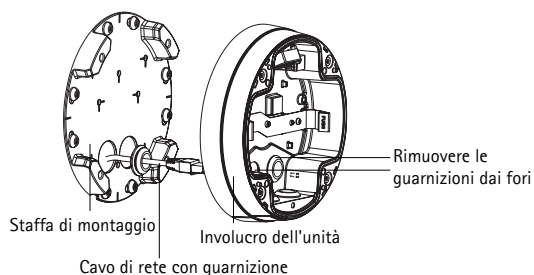
1. Allentare le 4 viti che fissano la cupola in posizione sotto la copertura a cupola.
2. Staccare la guarnizione dalla vecchia copertura e montarla su quella nuova.
3. Sostituire la cupola esistente con quella nuova e serrare le viti.

Installazione dei cavi

Attenersi alle procedure descritte di seguito, dipendenti dal percorso dei cavi, attraverso o lungo la parete.

Installazione dei cavi attraverso la parete

1. Usare l'apposita maschera per praticare 4 fori nella parete.
2. Inserire nella parete il cavo di rete (e, se necessario, il cavo I/O e audio), facendolo passare attraverso i fori sulla staffa di montaggio.
3. Fissare la staffa di montaggio alla parete utilizzando 4 viti idonee al materiale della parete.
4. Rimuovere la telecamera dall'alloggiamento allontanando le molle.
5. Rimuovere le guarnizioni dai fori posteriori dell'alloggiamento. Se è presente un solo cavo, rimuovere una sola guarnizione.
6. Far passare i cavi attraverso i fori.
7. Far scorrere le guarnizioni lungo i cavi e inserirle nei fori. Controllare che le guarnizioni si inseriscano a fondo, senza pieghe o curvature.
8. Fissare l'alloggiamento alla staffa di montaggio serrando le quattro viti.

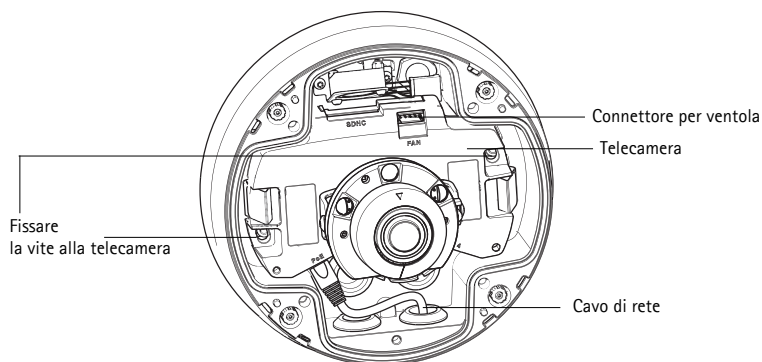


Installazione dei cavi lungo la parete

1. Usare l'apposita maschera per praticare 4 fori nella parete.
2. Fissare la staffa di montaggio alla parete utilizzando 4 viti idonee al materiale della parete.
3. Rimuovere la telecamera dall'alloggiamento allontanando le molle.
4. Rimuovere le guarnizioni dai fori laterali dell'alloggiamento. Se è presente un solo cavo, rimuovere una sola guarnizione.
5. Posizionare l'alloggiamento sulla staffa di montaggio e fissarlo in posizione serrando le quattro viti.
6. Tirare i cavi attraverso i fori laterali dell'alloggiamento.
7. Far scorrere le guarnizioni lungo il cavo e inserirle nei fori. Controllare che le guarnizioni si inseriscano a fondo nei fori, senza pieghe o curvature.
8. Rimontare la parte superiore della schermatura del cavo serrando le due viti.

Nota: La telecamera AXIS P3363-VE/P3364-VE/P3364-LVE può essere munita di un tubo protettivo in metallo per proteggere i cavi nel caso in cui vengano fatti passare lungo la parete.

Installazione della telecamera

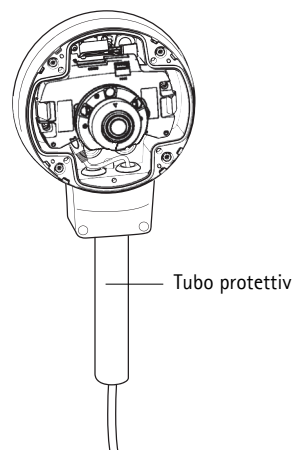


1. Fissare il cavo di rete alla telecamera, quindi fissare i cavi audio e I/O, se necessario.

Nota: Fare attenzione a non tirare o piegare eccessivamente il cavo di rete, poiché lo si potrebbe danneggiare.

2. Installazione della scheda di memoria SD (facoltativo)
3. Allontanare le molle dell'alloggiamento e installare la telecamera facendola scattare in posizione.
4. Fissare il connettore della ventola a quello sulla telecamera.
5. Per maggiore stabilità, installare le due viti M4x8 20 sulla telecamera.
Queste viti sono necessarie solo per proteggere la telecamera da urti e vibrazioni molto forti.

Nota: La telecamera AXIS P3363-VE/P3364-VE/P3364-LVE può essere munita di un tubo protettivo in metallo per proteggere i cavi in caso di installazione lungo la parete.



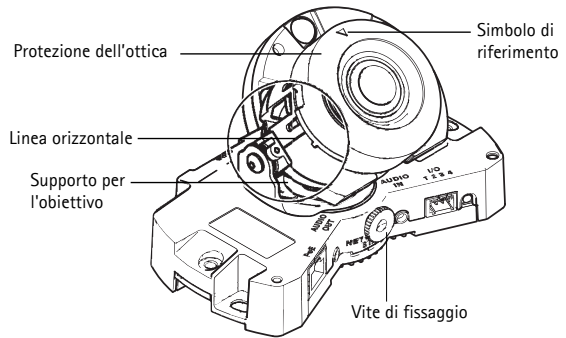
4 Accesso al flusso video

Utilizzare gli strumenti software forniti nel CD d'Installazione e Gestione per assegnare indirizzi IP, impostare password e accedere al flusso video. È anche possibile consultare la pagina www.axis.com/techsup per reperire gli stessi.

5 Regolazione dell'obiettivo

Aprire la pagina **Live View** (Immagini dal vivo) dell'interfaccia Web ed effettuare le seguenti regolazioni sulla telecamera:

1. Allentare la vite di arresto.
2. Posizionare il supporto dell'obiettivo nella posizione desiderata.
3. Ruotare l'obiettivo per garantire che le linee (orizzontali) sui due lati siano allineate orizzontalmente.



Nota: Assicurarsi che il simbolo di riferimento sul coperchio dell'obiettivo tra le linee orizzontali sia rivolto verso l'alto.

4. Stringere delicatamente la vite di fissaggio e bloccare la telecamera nella posizione desiderata.
5. Aprire la pagina **Focus Adjustment** (Regolazione messa a fuoco) nell'interfaccia Web in **Setup > Basic Setup > Focus Et Zoom** (Impostazione > Configurazione di base > Messa a fuoco e zoom) e seguire le istruzioni visualizzate. Utilizzare la finestra di regolazione delle immagini per impostare la messa a fuoco e lo zoom. Per ulteriori informazioni, consultare la Guida in linea.

Note:

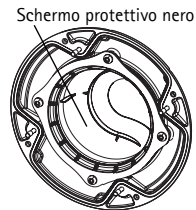
- A causa della rifrazione della cupola, dopo aver posizionato la cupola è possibile che l'immagine appaia leggermente sfocata. Per correggere questo problema, aprire la pagina **Focus Adjustment** (Regolazione messa a fuoco) nell'interfaccia Web in **Setup > Basic Setup > Focus Et Zoom** (Impostazione > Configurazione di base > Messa a fuoco e zoom) e regolare nuovamente la messa a fuoco.
- Dopo aver regolato la messa a fuoco e lo zoom, la luce IR è automaticamente allineata all'angolo di visualizzazione definito.

Attenzione!

La regolazione manuale della messa a fuoco e dello zoom può danneggiare l'obiettivo.

6 Completare l'installazione

1. Ruotare lo schermo di protezione nero all'interno della copertura a cupola in modo che sia allineato con la posizione della telecamera (non applicabile per AXIS P3364-LVE).
2. Se necessario, prima di installare la copertura a cupola rimontare sulla telecamera lo schermo di protezione contro gli agenti atmosferici (non applicabile per AXIS P3364-LVE). Per effettuare questa operazione, è necessario rimuovere le due viti sulla copertura a cupola. Spostare le rondelle da queste viti a quelle più lunghe fornite con la telecamera. Fissare in posizione lo schermo di protezione contro gli agenti atmosferici utilizzando le due viti lunghe.
3. Fissare la copertura a cupola all'alloggiamento serrando le 4 viti.



Nota: AXIS P3364-LVE Network Camera: Prima di installare la copertura a cupola si prega di controllare che la protezione dell'ottica sia stata installata ed orientata correttamente. Vedere l'immagine illustrativa precedente (pagina 46).

Per la telecamera AXIS P3364-LVE Network Camera, quando il supporto dell'obiettivo è inclinato a una certa angolazione, la copertura a cupola può bloccare parte della luce IR. In questo caso:

- allentare la vite di arresto;
- ruotare il supporto dell'obiettivo di 180°;
- serrare la vite di arresto;
- per correggere l'orientamento dell'immagine, ruotare l'obiettivo di 180°; assicurarsi che le linee orizzontali siano allineate e che il simbolo di riferimento tra le stesse sia rivolto verso l'alto.

Note:

- Per aprire una finestra MS-DOS in Windows: dal menu Start, scegliere Run (Esegui)... e digitare cmd. Fare clic su OK.
- Per utilizzare il comando ARP in Mac OS X, usare l'utility Terminal, in Applicazioni > Utilità.

Connettori

Connettore di rete. Connettore RJ-45 Ethernet. Supporta Power over Ethernet.

Attenzione!

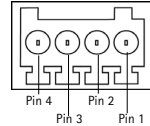
A causa delle disposizioni locali e delle condizioni ambientali ed elettriche in cui il prodotto deve essere usato, può essere appropriato o necessario un cavo di rete schermato (STP). Tutti i cavi di rete usati in ambienti esterni o simili devono essere schermati (STP) e destinati al loro uso specifico. Assicurarsi che lo switch di rete sia adeguatamente connesso a terra. Per i requisiti di legge vedere le norme di Compatibilità elettromagnetica (EMC).

Ingresso audio. Ingresso audio da 3,5 mm per microfono in mono o segnale mono line-in (il canale sinistro è usato da un segnale stereo).

Uscita audio. Uscita audio che può essere connessa a un sistema di indirizzo pubblico (PA) oppure a un altoparlante con amplificatore integrato. È possibile collegare un paio di cuffie. Per l'uscita audio è necessario usare un connettore stereo.

Slot per scheda di memoria SDHC. Le schede di memoria SD possono essere usate per la registrazione locale con unità di memorizzazione rimovibili.

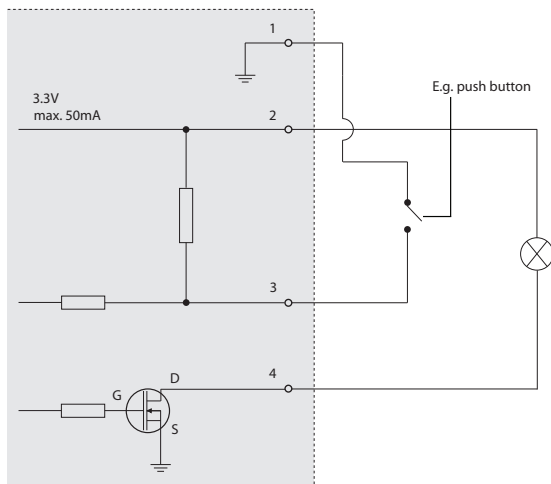
Morsetteria I/O Utilizzato per varie applicazioni; ad esempio la rilevazione del movimento, l'attivazione di eventi, la registrazione continua, la notifica di allarmi. Oltre a fungere da connettore di alimentazione ausiliario e pin di messa a terra, può essere usato come interfaccia per:



- 1 uscita transistor: per collegare dispositivi esterni come relé o LED. I dispositivi connessi possono essere attivati mediante API VAPIX® o i pulsanti di controllo nella pagina Live View (Immagini da vivo) oppure tramite Action Rule (Regola di azione). L'uscita verrà visualizzata come attiva (visualizzata in System Options > Ports & Devices) (Opzioni di sistema > Porte e dispositivi) se l'allarme è attivato.
- 1 ingresso digitale: ingresso dell'allarme per collegare i dispositivi che possono passare dal circuito chiuso al circuito aperto, ad esempio: PIR, contatti per porte/finestre e rilevatori di effrazione dei vetri. La ricezione di un segnale provoca il cambiamento dello stato e l'attivazione dell'ingresso (condizioni visualizzate in System Options > Ports & Device) (Opzioni di sistema > Porte e dispositivo).

Funzione	Pin	Note	Specifiche
GND	1	Terra	
Alimentazione a 3.3V CC	2	Utilizzabile per alimentare ulteriori apparecchiature. Nota: questo pin può essere usato <u>solo</u> come uscita di alimentazione.	Carico massimo = 50mA
Ingresso digitale	3	Collegare a terra (GND) per attivarlo oppure lasciarlo isolato (o scollegato) per disattivarlo.	Ingresso min = da 0 a - 40 V CC Ingresso max = da 0 a + 40 V CC
Uscita digitale	4	Utilizza un transistor NFET open-drain con connessione della fonte a terra. Se si utilizza un relé esterno, è necessario collegare un diodo in parallelo al carico per proteggere il dispositivo da sovratensioni transitorie.	Carico massimo = 100 mA Tensione massima = + 40 V CC

Il seguente schema dei collegamenti mostra come collegare un dispositivo ausiliario alla telecamera AXIS P3363-VE/P3364-VE/P3364-LVE.



Indicatori LED

LED	Colore	Indicazione
Rete	Verde	Luce fissa: connessione di rete a 100 Mbit/s. Luce lampeggiante: attività di rete.
	Giallo	Luce fissa: connessione di rete a 10 Mbit/s. Luce lampeggiante: attività di rete.
	Spento	Assenza di connessione.
Stato	Verde	Luce verde fissa: condizioni di normale utilizzo.
	Giallo	Luce fissa: lampeggia una volta durante il ripristino delle impostazioni predefinite in fabbrica o della configurazione.
	Rosso	Luce lampeggiante lenta: aggiornamento non riuscito.
Alimentazione	Verde	Normale utilizzo.
	Giallo	Luce lampeggiante verde/gialla: aggiornamento firmware.

Ripristino delle impostazioni predefinite

Questa procedura consentirà di ripristinare le impostazioni predefinite per tutti i parametri, incluso l'indirizzo IP.

1. Scollegare l'alimentazione dalla telecamera.
2. Tenere premuto il pulsante Control e ricollegare il cavo di alimentazione (vedere *"Panoramica dell'hardware"* alla pagina 42).
3. Tenere premuto il pulsante per circa 15 secondi, fino a quando l'indicatore di stato non inizia a lampeggiare in giallo.
4. Rilasciare il pulsante. Il processo è completo dopo circa 1 minuto (quando l'indicatore di stato diventa verde). La telecamera di rete è stata reimpostata alle impostazioni predefinite in fabbrica. L'indirizzo IP predefinito è 192.168.0.90
5. Riassegnare l'indirizzo IP.
6. Rimettere a fuoco la telecamera.

È inoltre possibile reimpostare i parametri alle impostazioni predefinite di fabbrica mediante l'interfaccia Web. Selezionare Setup > System Options > Maintenance (Impostazioni > Opzioni di sistema > Manutenzione).

Ulteriori informazioni

La guida per l'utente è disponibile sul sito Web di Axis all'indirizzo www.axis.com. Per maggiori informazioni sui prodotti e sulle tecnologie di Axis, visitare la pagina www.axis.com/academy, il centro di apprendimento globale per i video di rete.

Suggerimento!

Visitare il sito di Axis all'indirizzo www.axis.com/techsup per verificare la disponibilità di aggiornamenti del firmware per il proprio prodotto Axis. Per conoscere la versione installata del software, selezionare Setup > About (Configurazione > Informazioni su) nell'interfaccia Web.

Garanzia

Per informazioni relative alla garanzia del prodotto AXIS ed ogni altra ulteriore informazione correlata, si prega di consultare la pagina <http://www.axis.com/warranty>

Medidas preventivas

Lea detenidamente esta Guía de instalación antes de instalar el producto Axis. Guarde la Guía de instalación para poder consultarla en el futuro.

AVISO

- Guarde el producto Axis en un entorno seco y ventilado.
- Evite exponer el producto Axis a vibraciones, golpes o presiones excesivas. No instale el producto en soportes inestables ni en superficies o paredes inestables o con vibraciones, ya que esto podría dañarlo.
- Utilice solo las herramientas apropiadas para instalar el producto Axis; una fuerza excesiva podría dañarlo.
- No utilice productos químicos, agentes cáusticos ni limpiadores en aerosol. Límpielo con un paño húmedo.
- Utilice solo accesorios que cumplan las especificaciones técnicas del producto. Puede obtenerlos de Axis o de un tercero.
- Utilice solo piezas de recambio suministradas o recomendadas por Axis.
- No intente reparar el producto usted mismo, póngase en contacto con Axis o con el distribuidor de Axis para los temas de servicio técnico.

Importante

- Este producto Axis se utilizará de conformidad con la legislación y normativas locales.
- Para utilizar este producto Axis en exteriores, se instalará en una carcasa protectora para exteriores aprobada.
- La instalación del producto Axis debe realizarla un profesional cualificado. Siga las normativas nacionales y locales aplicables para la instalación.

Transporte

AVISO

- A la hora de transportar el producto Axis, utilice el embalaje original o uno equivalente para no dañar el producto.

Sustitución de la batería

Este producto Axis utiliza una batería de litio CR2032 3.0 de 3,0 V como fuente de alimentación para su reloj de tiempo real interno (RTC). En condiciones normales, esta batería durará un mínimo de 5 años. Cuando la batería tiene poca carga, el funcionamiento del RTC se puede ver afectado, ya que esto puede hacer que se reinicie cada vez que se encienda. Aparecerá un mensaje de registro cuando sea necesario sustituir la batería. No se debe sustituir la batería a menos que sea necesario.

Si necesita sustituir la batería, visite la página www.axis.com/techsup para recibir asistencia.

▲ ADVERTENCIA

- Deseche las baterías usadas según las instrucciones del fabricante.

AVISO

- Existe peligro de explosión si la batería se sustituye de forma incorrecta.
- Utilice solo baterías de recambio iguales o equivalentes, de acuerdo con las recomendaciones del fabricante.

Limpeza de la cubierta del domo

AVISO

- Tenga cuidado de no arañar ni dañar la cubierta del domo. No limpie una cubierta del domo que parezca limpia y no pule nunca la superficie. El exceso de limpieza podría dañar la superficie.
- Para la limpieza general de la cubierta del domo se recomienda utilizar un jabón neutro no abrasivo y sin disolvente o un detergente con agua y un paño suave. Aclare bien con agua limpia y tibia. Seque con un paño suave para evitar las manchas de agua.
- No utilice detergentes abrasivos, gasolina, benceno, acetona, etc., y evite limpiarlo con luz directa del sol o a temperaturas elevadas.
- Los domos de los productos L vienen con una superficie resistente a los arañazos y la limpieza del domo se recomienda teniendo en cuenta las precauciones citadas anteriormente.

Guía de instalación de la cámara de red AXIS P3363-VE/P3364-VE/P3364-LVE

Siga estas instrucciones para instalar la cámara de red

1. "Contenido del paquete" en la página 53
2. "Presentación del hardware" en la página 54
3. "Instalación del hardware" en la página 55
4. "Acceso al flujo de video" en la página 58
5. "Ajuste del objetivo" en la página 58
6. "Finalización de la instalación" en la página 59

Notas:

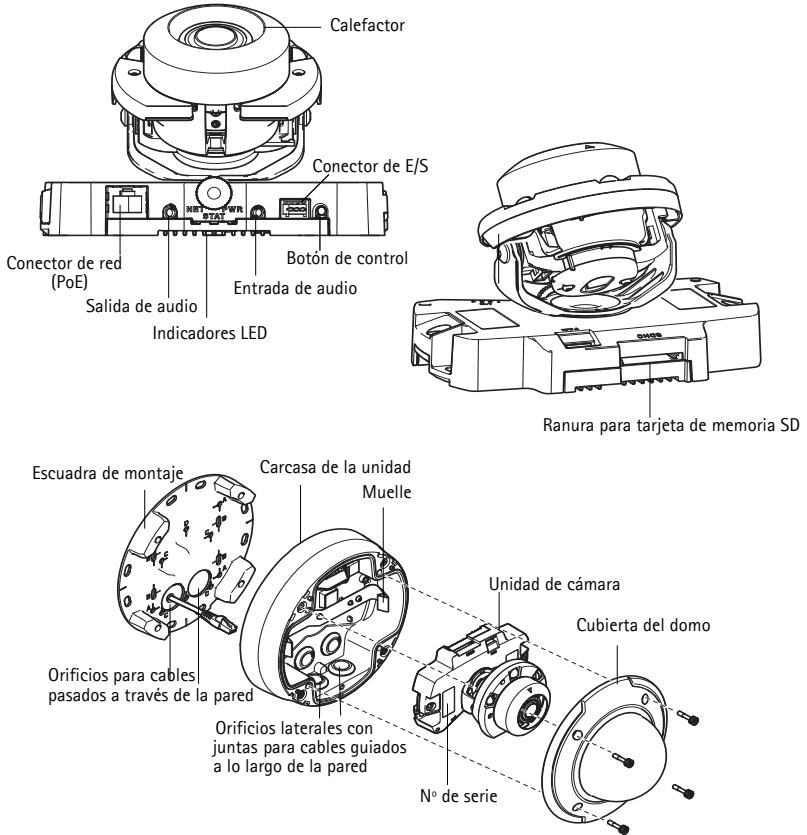
- Antes de comenzar, asegúrese de que el contenido del paquete, la fuente de alimentación y los cables, herramientas y documentación necesarios se encuentran disponibles. Consulte *Contenido del paquete* más adelante.
- Esta cámara de red se ha diseñado para que funcione con PoE; si no se encuentra disponible, utilice Midspan PoE de AXIS con 1 puerto (no incluido).

1 Contenido del paquete

Artículo	Modelos/variantes/notas
Cámara de red con módulo de calefacción	AXIS P3363-VE AXIS P3364-VE AXIS P3364-LVE
Escuadra de montaje	
Cubiertas de domo	Cubierta transparente clara (no procede para el modelo AXIS P3364-LVE) Cubierta transparente ahumada
Pantalla de protección	No procede para el modelo AXIS P3364-LVE
Etiquetas	2 etiquetas adhesivas de número de serie
Kit de montaje	Destornillador Resitorx, 2 tornillos largos, plantilla de taladrado, cable de red de 5 metros con junta, 1 junta, conector del bloque de terminales
CD	CD de Software de Instalación y Gestión
Material impreso	Guía de instalación (este documento) Clave de autenticación AVHS
Accesorios opcionales	Adaptador de rosca con protección de cables Visite www.axis.com para obtener información sobre los accesorios disponibles

2 Presentación del hardware

Cámara AXIS P3363



¡Precaución! El calefactor de la cámara puede estar caliente.

Nota: Asegúrese que el switch, por debajo de la cámara, esté configurado con PoE clase3. El calefactor (AXISP3363-VE/AXIS P3364-VE/AXIS P3364-LVE) y a la iluminación IR (AXIS P3364-LVE), no funcionarán si la pestaña no estuviera en esa posición.

Dimensiones (Alt. x Anch.)

AXIS P3363-VE/AXIS P3364-VE/AXIS P3364-LVE= 110 x 179 x 179 mm

Peso

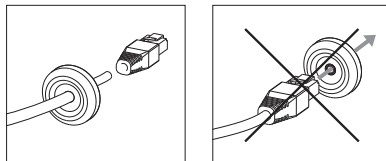
AXIS P3363-VE/AXIS P3364-VE= 1,5 kg

AXIS P3364-LVE= 1,5 kg

3 Instalación del hardware

Preparación del cable de red

Si se utiliza un cable diferente al suministrado, tendrá que preparar un cable de red con una junta. Fuerce suavemente el cable a través de la junta suministrada y acople un conector de red. Puede que sea necesario perforar un orificio en la junta con el destornillador Resitorx.



Notas:

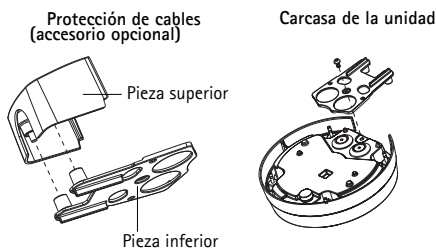
- No pase el conector de red a través de la junta.
- No perforo la junta con un cuchillo u otro objeto afilado.

Preparación de la carcasa de la unidad (guiando los cables a lo largo de la pared)

Si se van a guiar los cables a lo largo de la pared, prepare la carcasa de la unidad del siguiente modo:

Nota: La protección de cables es un accesorio opcional que no se suministra con el producto.

1. Afloje los dos tornillos de la protección de cables (no suministrada) y separe la parte inferior.
2. Conecte la parte inferior de la protección de cables a la carcasa de la unidad con el tornillo.



Sustitución de la cubierta de domo clara/ahumada (opcional)

La cámara AXIS P3363-VE/AXIS P3364-VE se suministra con un domo opcional. Para sustituir la cubierta del domo:

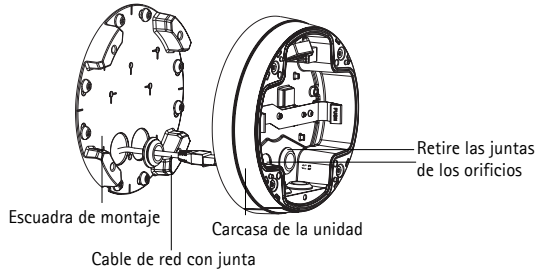
1. Afloje los 4 tornillos bajo la cubierta que sostiene al domo.
2. Transfiera la junta del domo antiguo al nuevo.
3. Sustituya el domo antiguo por el nuevo y apriete los tornillos.

Extensión de los cables

En función de si desea guiar los cables a través de la pared o a lo largo de ella, siga las instrucciones pertinentes que se indican a continuación.

Extensión de los cables a través de la pared

1. Mediante la plantilla de taladrado, haga 4 orificios en la pared.
2. Haga pasar el cable de red (y el cable de audio o de E/S, si es necesario) a través de la pared y de los orificios de la escuadra de montaje.
3. Fije la escuadra de montaje a la pared con 4 tornillos adecuados para el material de la pared.
4. Aparte los muelles para retirar la cámara de la carcasa de la unidad.
5. Retire las juntas de los orificios traseros de la carcasa de la unidad. Si solo hay un cable, retire únicamente una junta.
6. Haga pasar los cables a través de estos orificios.
7. Arrastre las juntas a lo largo de los cables y conéctelas a los orificios. Las juntas deben encajar perfectamente sin dobleces ni curvas.
8. Fije la carcasa de la unidad a la escuadra de montaje apretando los cuatro tornillos.

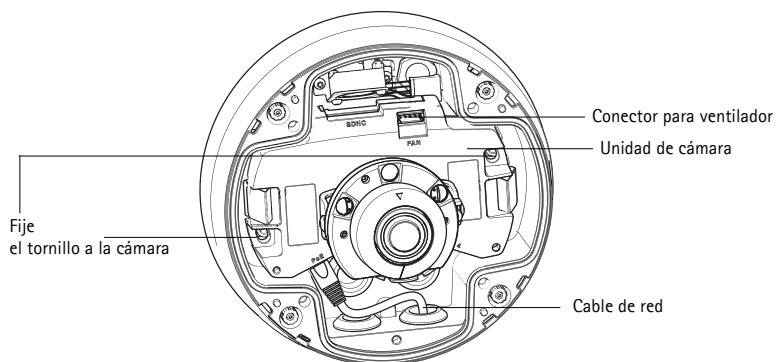


Extensión de los cables a lo largo de la pared

1. Mediante la plantilla de taladrado, haga 4 orificios en la pared.
2. Fije la escuadra de montaje a la pared con 4 tornillos adecuados para el material de la pared.
3. Aparte los muelles para retirar la cámara de la carcasa de la unidad.
4. Retire las juntas de los orificios laterales de la carcasa de la unidad. Si solo hay un cable, retire únicamente una junta.
5. Coloque la carcasa de la unidad en la escuadra de montaje y acóplela apretando los cuatro tornillos.
6. Haga pasar los cables por los orificios laterales de la carcasa de la unidad.
7. Arrastre las juntas a lo largo del cable y conéctelas a los orificios. Las juntas deben encajar perfectamente en los orificios sin dobleces ni curvas.
8. Vuelva a acoplar la parte superior de la protección de cables apretando los dos tornillos.

Nota: La cámara AXIS P3363-VE/P3364-VE/P3364-LVE también se puede instalar con un conducto metálico para proteger el cableado cuando los cables se guían a lo largo de la pared.

Instalación de la cámara

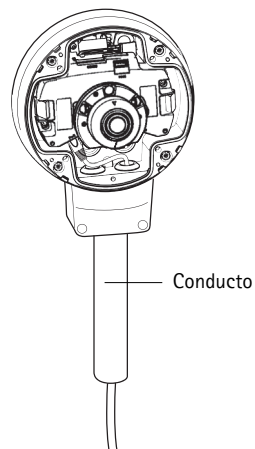


1. Conecte el cable de red a la cámara y el cable para audio y E/S, si es necesario.

Nota: Tenga cuidado de no estirar o doblar demasiado el cable de red, ya que podría dañarlo.

2. Inserte la tarjeta de memoria SD (opcional).
3. Retire los muelles de la carcasa y encaje la cámara hasta que escuche un clic.
4. Fije el conector del ventilador al conector de la cámara.
5. Fije los dos tornillos M4x8 20 a la cámara para mejorar la estabilidad.
Estos tornillos solo son necesarios para proteger la cámara frente a impactos y vibraciones fuertes.

Nota: La cámara AXIS P3363-VE/P3364-VE/P3364-LVE también se puede instalar con un conducto metálico para proteger el cableado cuando los cables se guíen a lo largo de la pared.



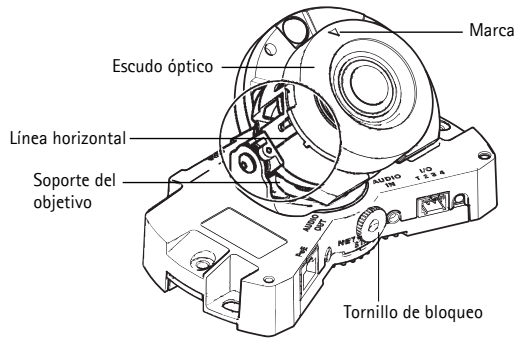
4 Acceso al flujo de video

Utilice las herramientas incluidas en el CD de Software de Instalación y Gestión para asignar una dirección IP, establecer la contraseña y acceder al flujo de video. Esta información también está disponible en las páginas de asistencia técnica en www.axis.com/techsup

5 Ajuste del objetivo

Abra la página **Live View** en la interfaz web y realice los siguientes ajustes en la cámara:

1. Afloje el tornillo de bloqueo.
2. Gire el soporte del objetivo hasta la posición que desee.
3. Gire el objetivo para asegurarse de que las líneas (horizontales) de ambos lados del objetivo estén alineadas horizontalmente.



Nota: Asegúrese de que la marca de la cubierta del objetivo, entre las líneas horizontales, está hacia arriba.

4. Una vez que haya conseguido la posición deseada, apriete con cuidado el tornillo de bloqueo para fijar la posición de la cámara.
5. Abra la página **Focus Adjustment (Ajuste de enfoque)** en la interfaz web en **Setup (Configuración) > Basic Setup (Configuración básica) > Focus & Zoom (Enfoque y zoom)** y siga las instrucciones que aparecen en pantalla. Utilice la ventana de la imagen para ajustar el enfoque y el zoom. Para obtener más información, consulte los archivos de ayuda en línea.

Notas:

- Debido a la refracción del domo, puede que la imagen aparezca ligeramente desenfocada una vez que se haya colocado el domo. Para corregir esto, vaya a la página **Focus Adjustment (Ajuste de enfoque)** en la interfaz web en **Setup (Configuración) > Basic Setup (Configuración básica) > Focus & Zoom (Enfoque y zoom)** y vuelva a ajustar el enfoque.
- Una vez que se han ajustado el zoom y el enfoque, la luz infrarroja se alinea automáticamente con el ángulo de visión definido.

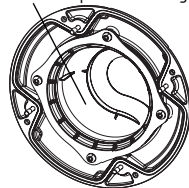
¡Precaución!

Ajustar manualmente el enfoque y el zoom puede dañar el objetivo.

6 Finalización de la instalación

1. Gire el revestimiento de protección negro del interior de la cubierta del domo para que coincida con la posición de la cámara (no procede para el modelo AXIS P3364-LVE).
2. Si es necesario, fije la pantalla de protección a la cámara antes de fijar la cubierta del domo (no procede para el modelo AXIS P3364-LVE). Para ello, retire los dos tornillos de la cubierta del domo. Transfiera las arandelas de estos tornillos a los dos tornillos largos suministrados. Fije la pantalla de protección utilizando los dos tornillos largos.
3. Fije la cubierta del domo a la carcasa de la unidad apretando los 4 tornillos.

Revestimiento de protección negro



Nota: Cámara de red AXIS P3364-LVE: Antes de colocar la cubierta del domo asegurarse de que el escudo óptico se asiente bien en su lugar. Ver imagen de arriba (página 58).

En el modelo Cámara de red AXIS P3364-LVE, cuando el soporte del objetivo se inclina en un ángulo determinado, es posible que la cubierta del domo bloquee parte de la luz infrarroja. En ese caso:

- afloje el tornillo de bloqueo
- gire el soporte del objetivo 180°
- apriete el tornillo de bloqueo
- para que la imagen esté correctamente orientada, gire el objetivo 180°; asegúrese de que las líneas horizontales están alineadas y que la marca que se encuentra entre ellas está hacia arriba.

Conectores

Conector de red: conector Ethernet RJ-45. Compatible con PoE (alimentación a través de Ethernet).

¡Precaución!

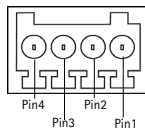
Debido a la normativa local o a las condiciones ambientales y eléctricas en las que vaya a utilizar el producto, puede que sea conveniente o necesario un cable de red blindado (STP). Todos los cables de red que se utilicen en exteriores o similares deberán estar blindados (STP) y diseñados para su uso específico. Asegúrese de que el switch de red disponga de una conexión a tierra adecuada. Consulte Compatibilidad electromagnética (EMC) para conocer los requisitos normativos.

Entrada de audio: conector de 3,5 mm para micrófono mono, o entrada de línea de señal mono (se usa el canal izquierdo de una señal estéreo).

Salida de audio: salida de audio (nivel de línea) que se puede conectar a un sistema de megafonía pública o a un altavoz con amplificador incorporado. También pueden conectarse unos auriculares. Debe utilizarse un conector estéreo.

Ranura para tarjeta de memoria SDHC: se puede usar la tarjeta de memoria SD para grabación local con almacenamiento extraíble.

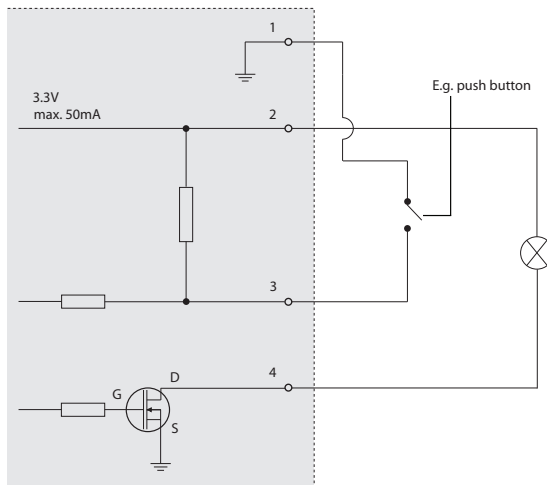
Conector del terminal de E/S: se utiliza en aplicaciones como detección de movimiento, activación de eventos, grabación de secuencias y notificaciones de alarma. Además de un pin de alimentación auxiliar y un pin de conexión a tierra GND, proporciona a la interfaz la conexión de:



- 1 salida de transistor: para conectar relés e indicadores LED. Se pueden activar dispositivos conectados mediante la interfaz de programación de aplicaciones (API) VAPIX®, los botones de salida de la página Live View o mediante una norma de actuación. La salida se mostrará activa en System Options (Opciones del sistema) > Ports & Devices (Puertos y dispositivos) si el dispositivo de alarma está activado.
- 1 entrada digital: una entrada de alarma para conectar dispositivos que puedan alternar circuitos cerrados y abiertos, como PIR, contactos de puertas y ventanas y detectores de rotura de cristales. Cuando se recibe una señal, el estado cambia y la entrada se vuelve activa, como se indica en System Options (Opciones del sistema) > Ports & Devices (Puertos y dispositivos).

Función	Pin	Notas	Especificaciones
Conector a tierra (GND)	1	Conector a tierra (GND)	
Alimentación de 3,3 V CC	2	Se puede utilizar para alimentar equipos auxiliares. Nota: Este pin <u>solo</u> se puede usar como salida de alimentación.	Carga máx.= 50 mA
Entrada digital	3	Conecte a una toma de tierra (GND) para activarla o déjela suelta (o desconectada) para desactivarla.	Entrada mín.= de 0 a - 40 V CC Entrada máx.= de 0 a + 40 V CC
Salida digital	4	Utiliza un transistor NFET de drenaje abierto con la fuente conectada a la toma de tierra (GND). Si se utiliza con un relé externo, debe conectarse un diodo en paralelo a la carga como protección ante oscilaciones de tensión.	Carga máx.= 100 mA Voltaje máx.= + 40 V CC

El diagrama de conexiones siguiente ofrece un ejemplo de cómo conectar un dispositivo auxiliar a la cámara AXIS P3363-VE/P3364-VE/P3364-LVE.



Indicadores LED

LED	Color	Indicación
Red	Verde	Fijo para indicar la conexión a una red de 100 Mbits/s. Parpadea para indicar actividad en la red.
	Ámbar	Fijo para indicar conexión a una red de 10 Mbits/s. Parpadea para indicar actividad en la red.
	Apagado	Sin conexión a la red.
Estado	Verde	Verde fijo para indicar funcionamiento normal.
	Ámbar	Fijo durante el inicio; parpadea una vez durante el restablecimiento de los valores originales o al restaurar la configuración.
	Rojo	Parpadeo lento si no se puede realizar una actualización.
Encendido	Verde	Funcionamiento normal.
	Ámbar	Parpadea en verde/ámbar durante la actualización del firmware.

Restablecimiento de los valores iniciales

Mediante esta operación se restablecerá la configuración predeterminada original de todos los parámetros, incluida la dirección IP:

1. Desconecte la alimentación de la cámara.
2. Mantenga pulsado el botón de control y vuelva a conectar la alimentación (consulte *"Presentación del hardware"* en la página 54).
3. Mantenga pulsado el botón de control unos 15 segundos hasta que el indicador de estado emita una luz ámbar.
4. Suelte el botón de control. El proceso finalizará aproximadamente en 1 minuto (cuando el indicador de estado se ilumine en color verde). La cámara de red habrá recuperado los valores iniciales. La dirección IP predeterminada es 192.168.0.90.
5. Vuelva a asignar la dirección IP.
6. Vuelva a enfocar la cámara.

También es posible restablecer los parámetros a los valores iniciales mediante la interfaz web. Vaya a Setup (Configuración) > System Options (Opciones del sistema) > Maintenance (Mantenimiento).

Más información

El manual del usuario está disponible en el sitio web de Axis en www.axis.com. Para obtener más información sobre los productos y tecnologías de Axis, visite www.axis.com/academy, centro de formación mundial para el vídeo en red.

Un consejo:

Visite www.axis.com/techsup para comprobar si hay disponible firmware actualizado para su producto de Axis. Para consultar la versión de firmware que tiene instalada actualmente, vaya a Setup (Configuración) > About (Acerca de) en la interfaz web.

Garantía

Para información sobre la garantía de productos Axis e información relacionada, por favor consulte www.axis.com/warranty.

Installation Guide

AXIS P3363-VE/P3364-VE/P3364-LVE

© Axis Communications AB, 2012-2014

Ver. 3.1

Printed: June 2014

Part No. 58280